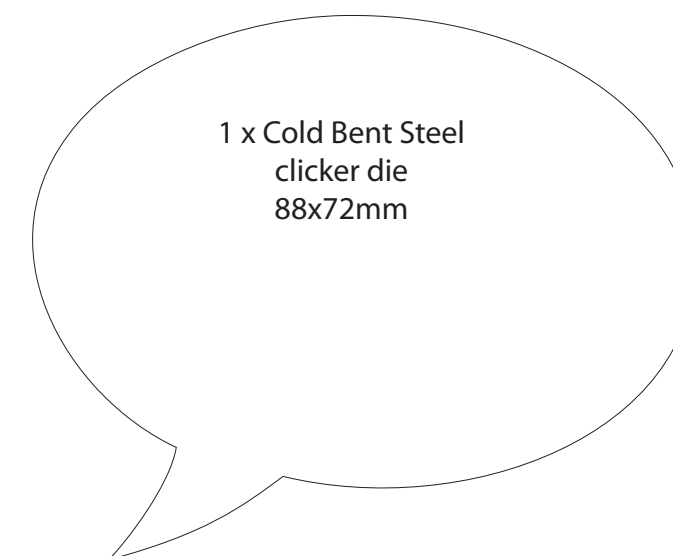
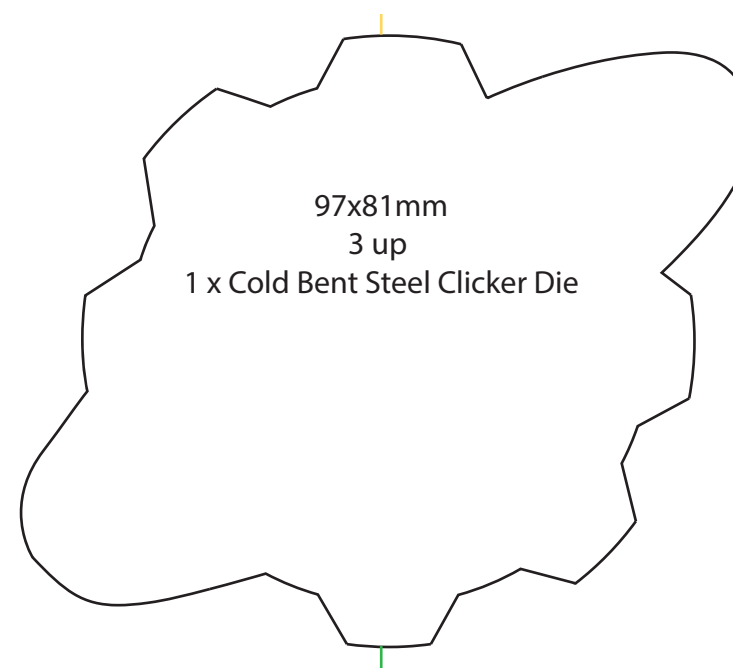
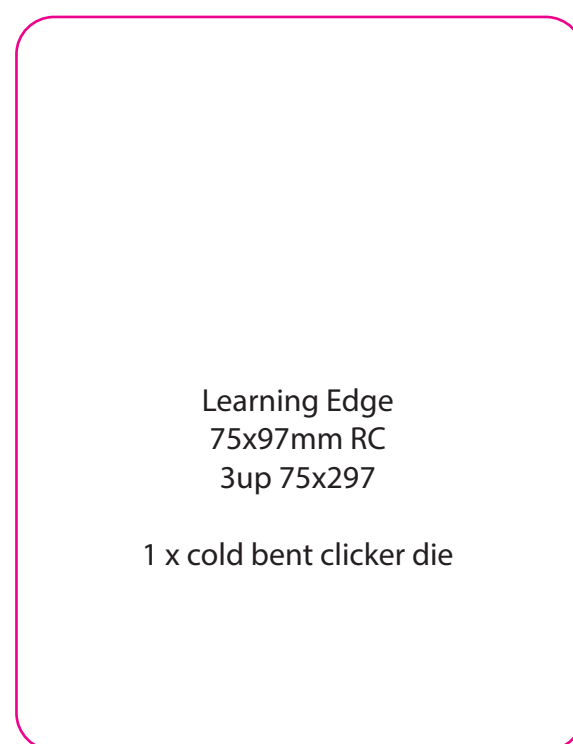
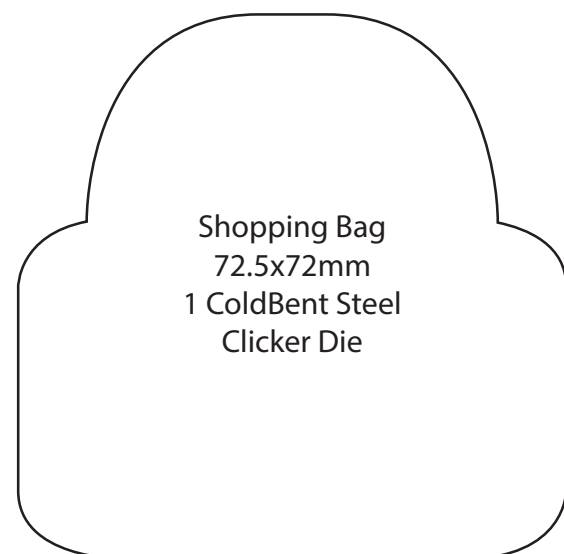
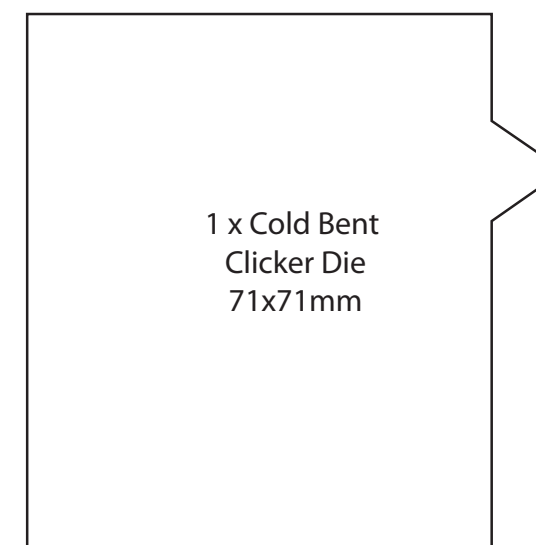
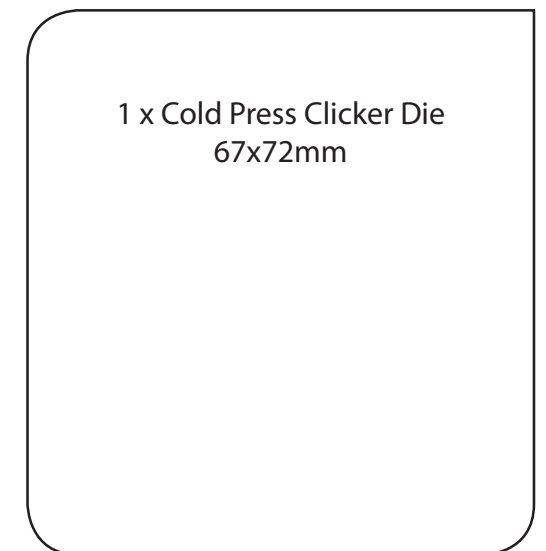
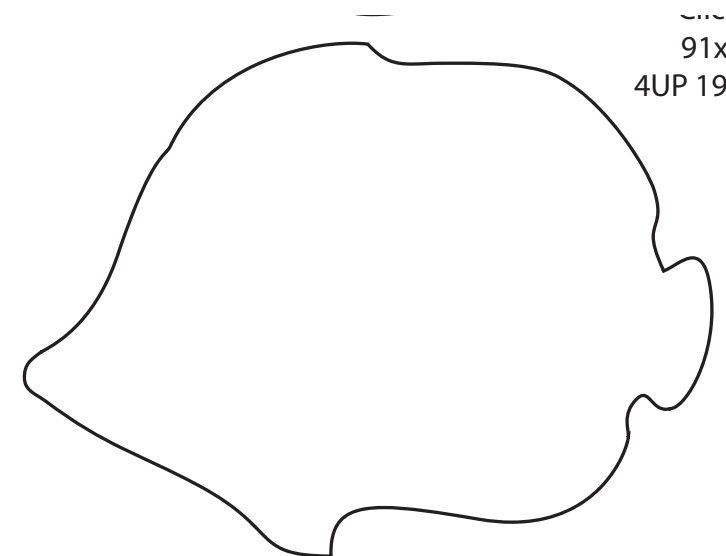
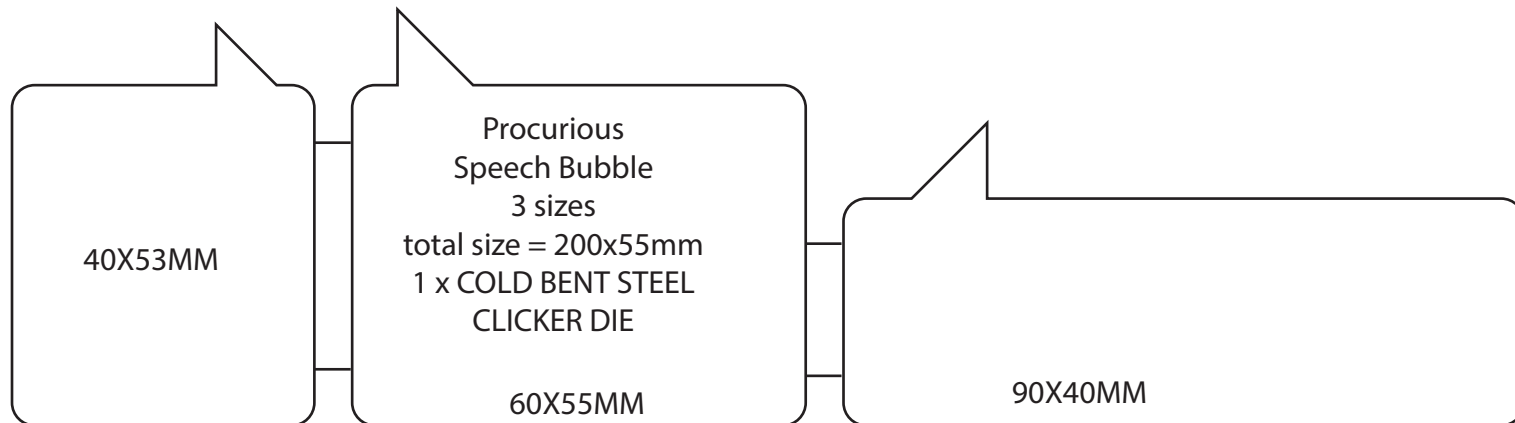
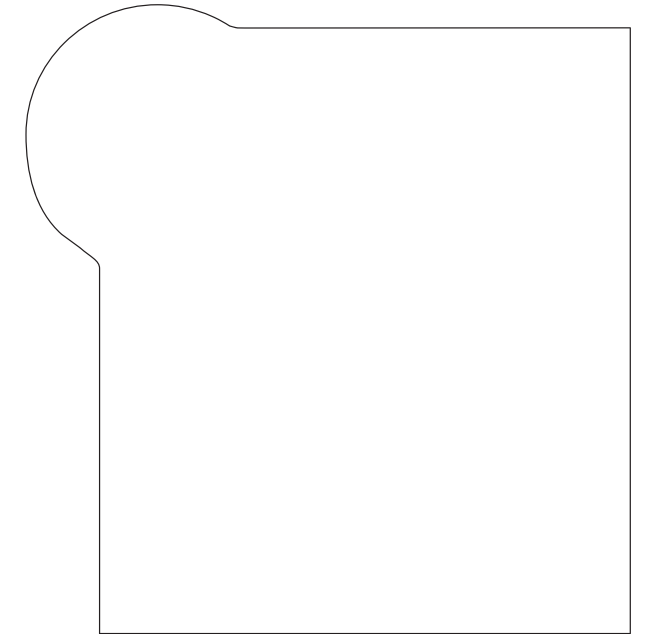
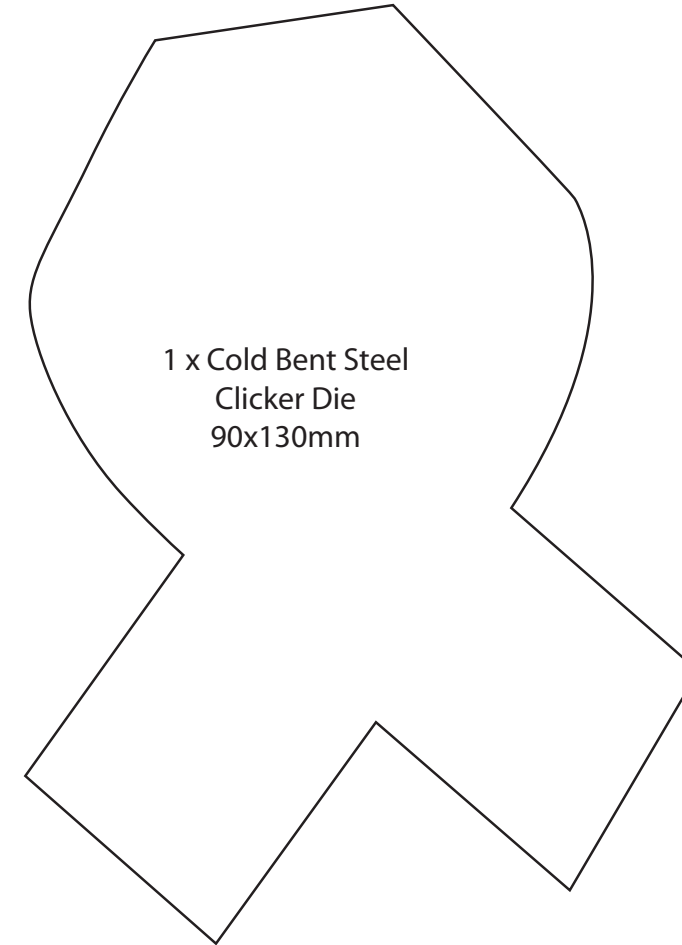
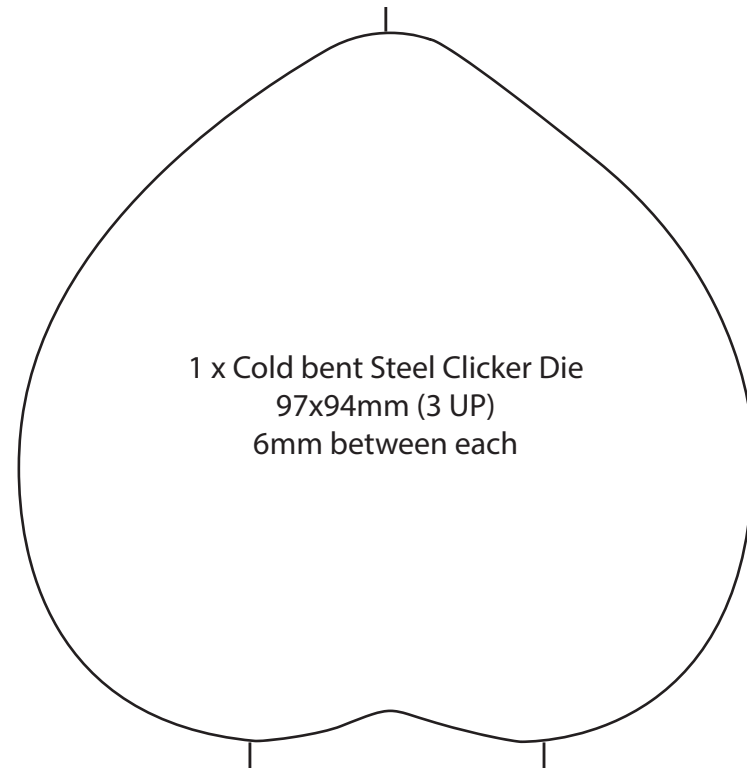
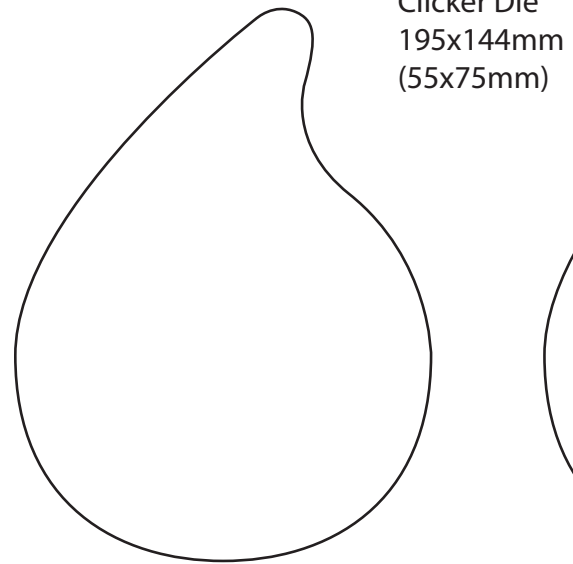
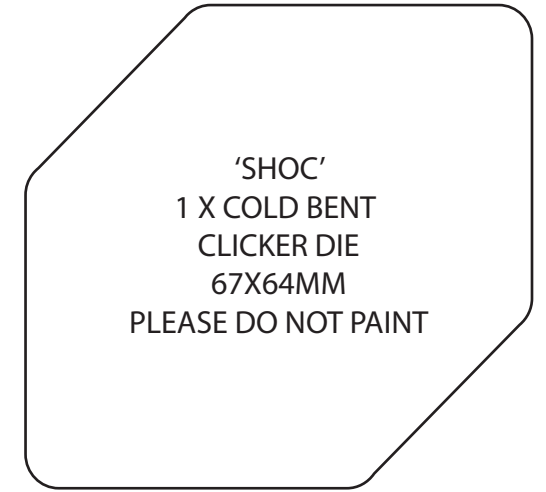
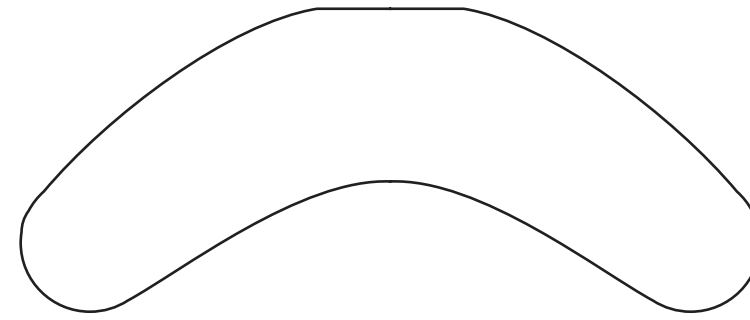
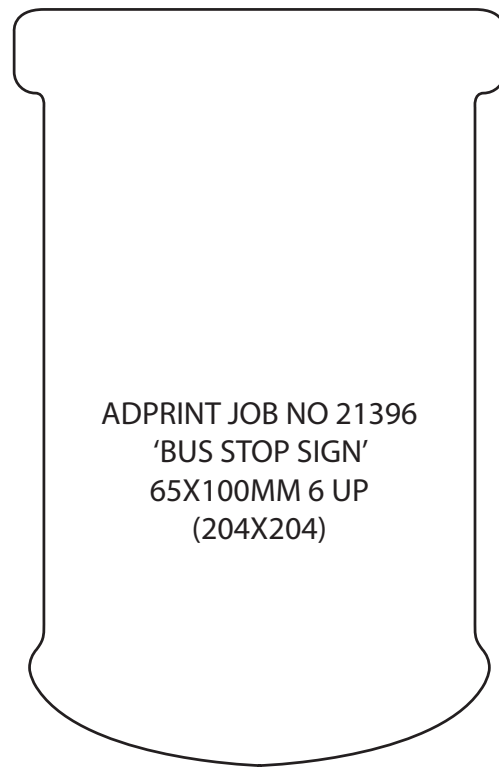
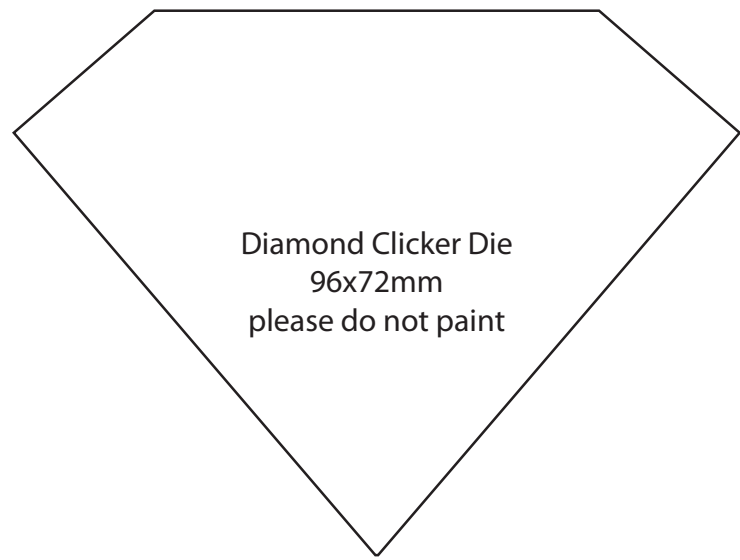
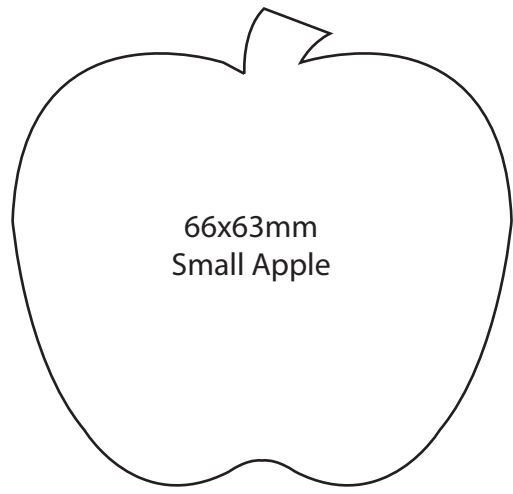


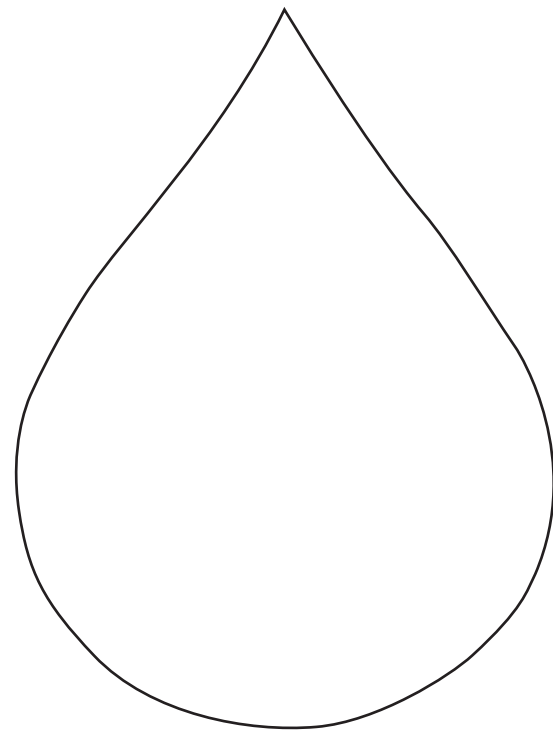
CLICKER DIE  
Speech Bubble  
90x69mm approx





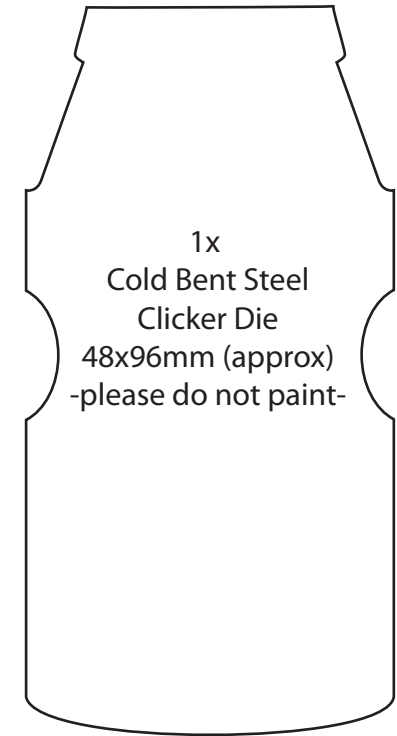
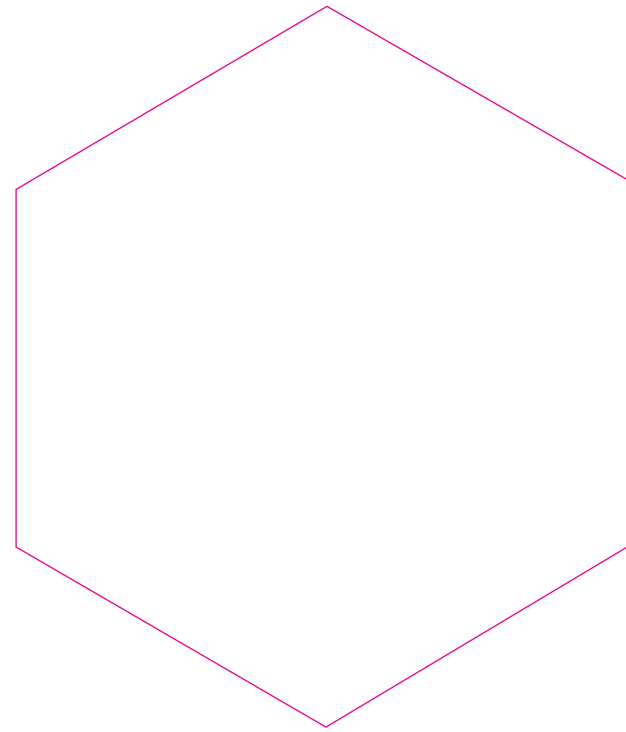


66x63mm  
Small Apple

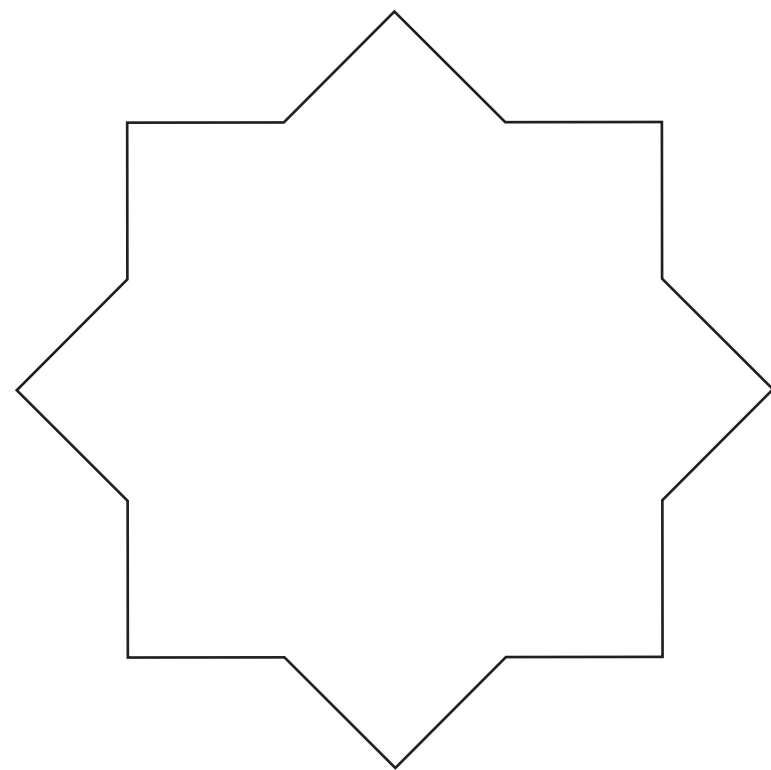
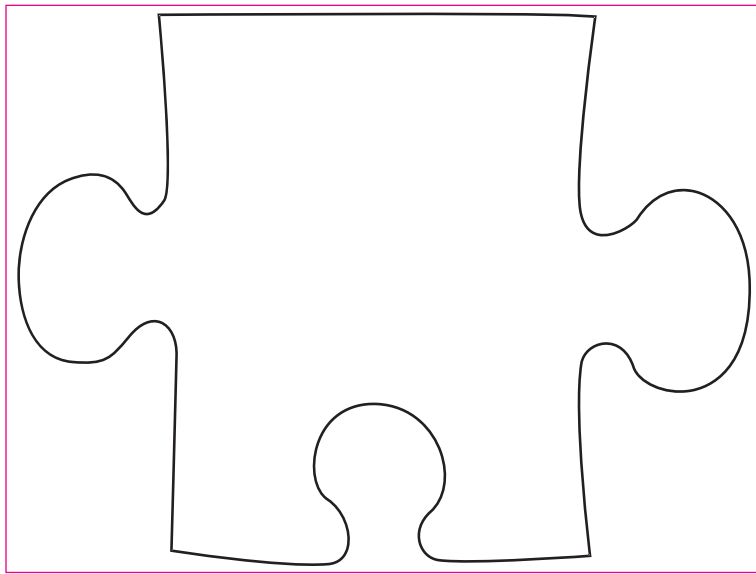


**NAIDOC**  
71 X 95MM  
COLD BENT STEEL  
CLICKER PRESS DIE

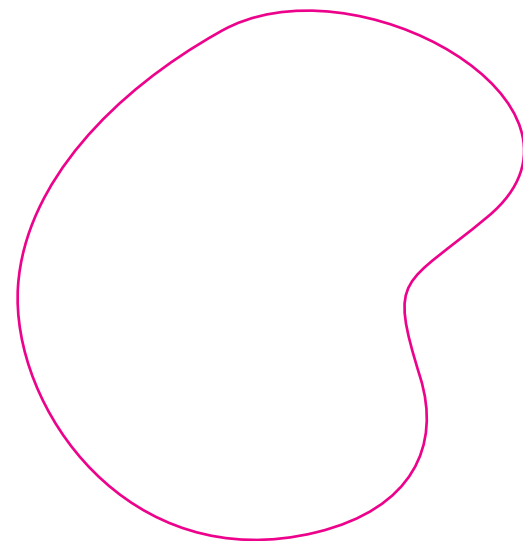
HEXAGON CLICKER DIE  
82 x 95mm approx  
do not paint



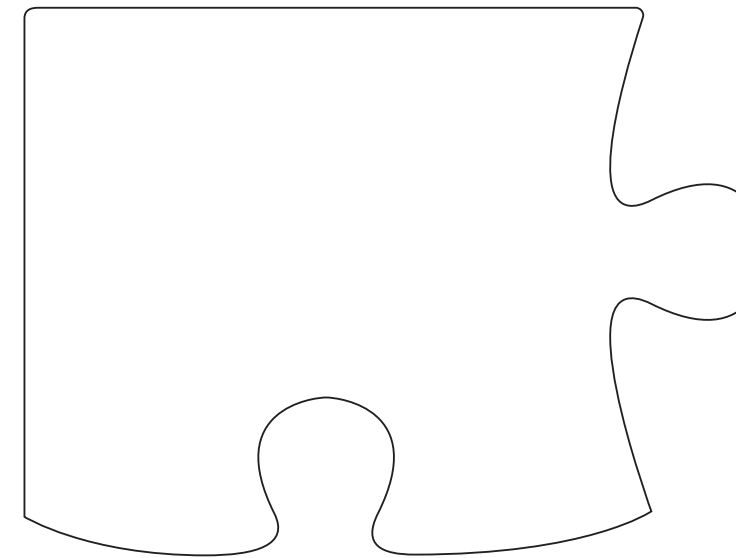
1x  
Cold Bent Steel  
Clicker Die  
48x96mm (approx)  
-please do not paint-



**CONTIKI**  
100 X 100MM  
COLD BENT STEEL  
CLICKER PRESS DIE



1 x Cold Bent Steel Clicker Die  
67x70mm  
please do not paint



**JIGSAW PIECE**  
98 X 72MM APPROX  
COLD BENT STEEL  
CLICKER PRESS DIE

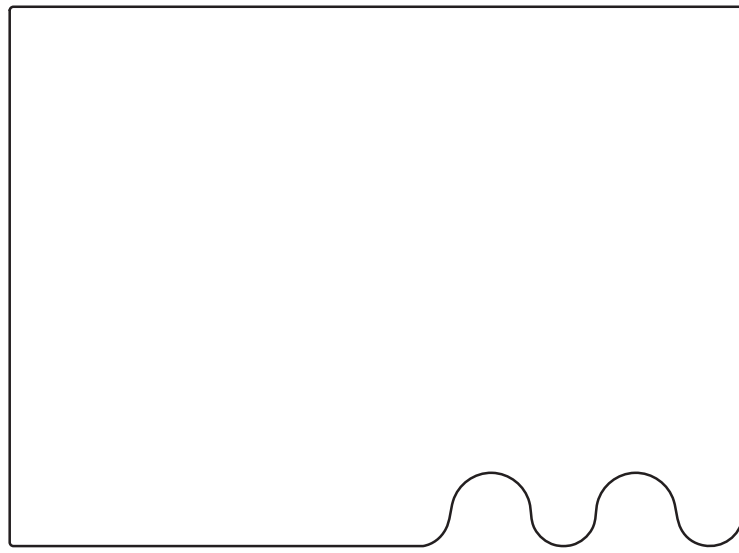
**\*\*DO NOT PAINT\*\***



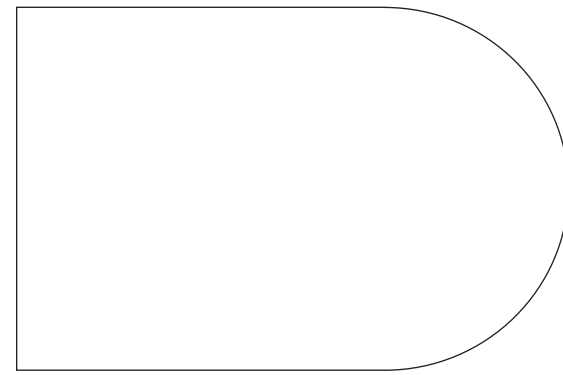
1 cold bent steel clicker die  
72x72mm



"Leaf Shape"  
47x72mm  
1 x Cold Pressed  
Clicker Die



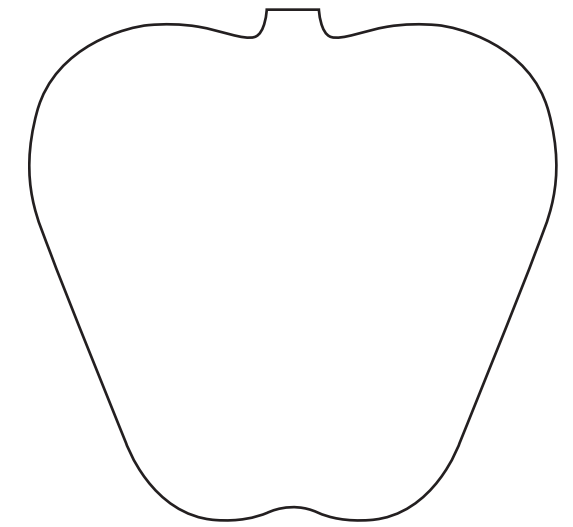
1 cold bent steel clicker die  
97x71



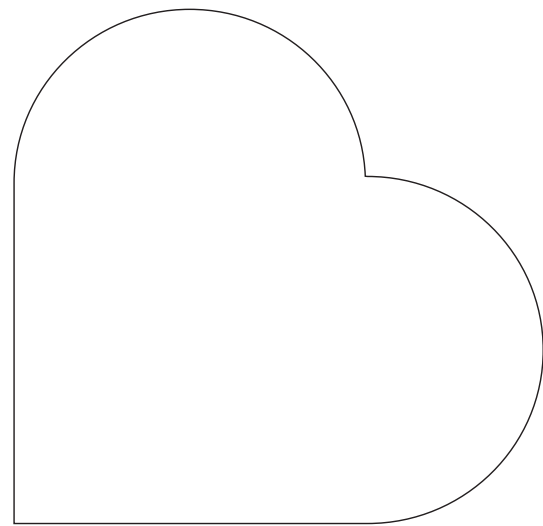
**73X48MM**  
CLICKER PRESS DIE



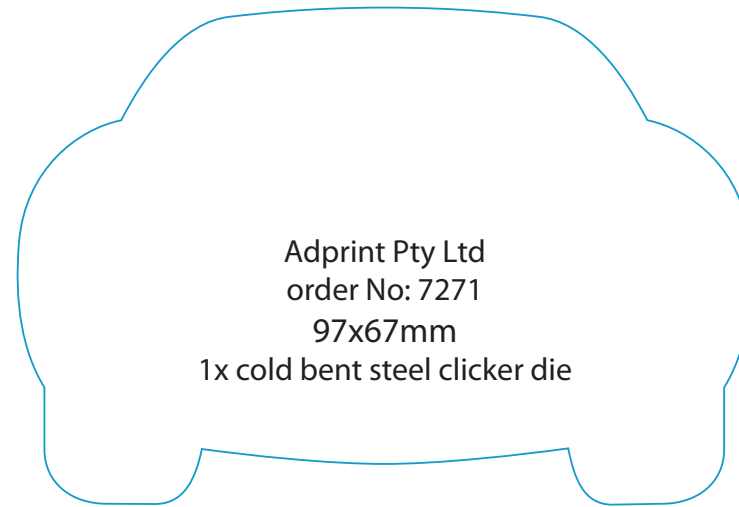
1 x Cold Bent Steel  
Clicker Die  
96x96mm



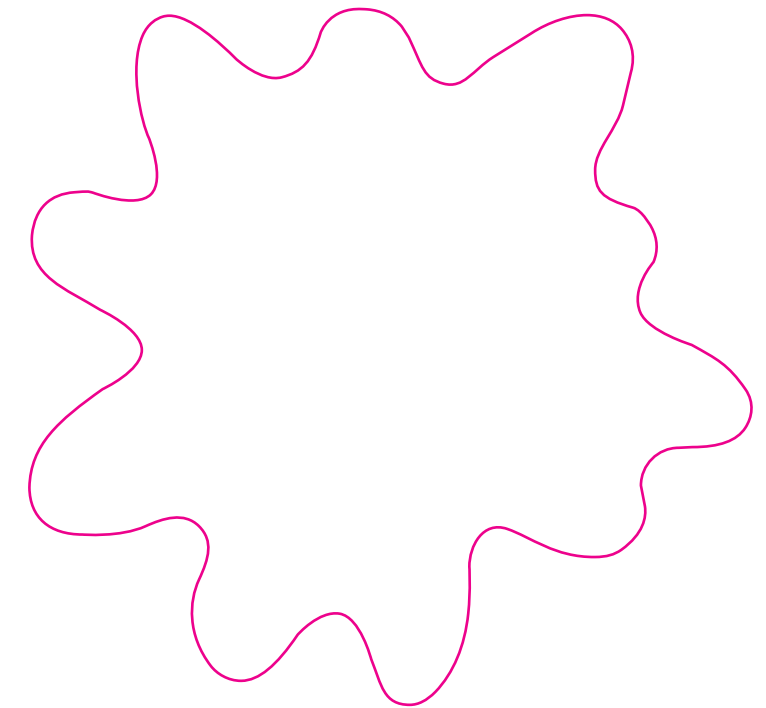
**APPLE DIE**  
**69 X 67MM APPROX**  
COLD BENT STEEL  
CUTTING FORME



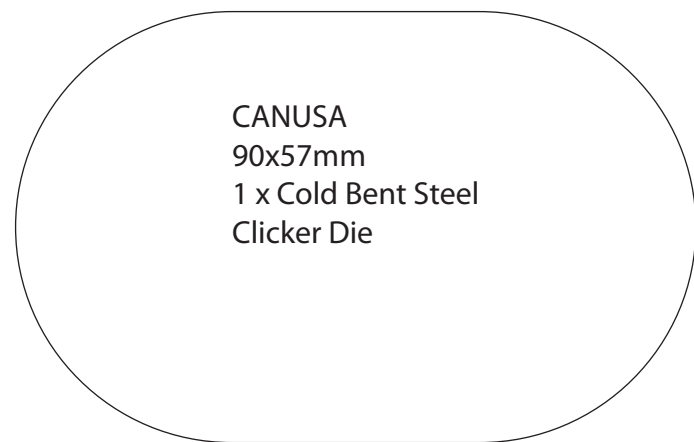
1 cold bent clicker die  
70x68mm



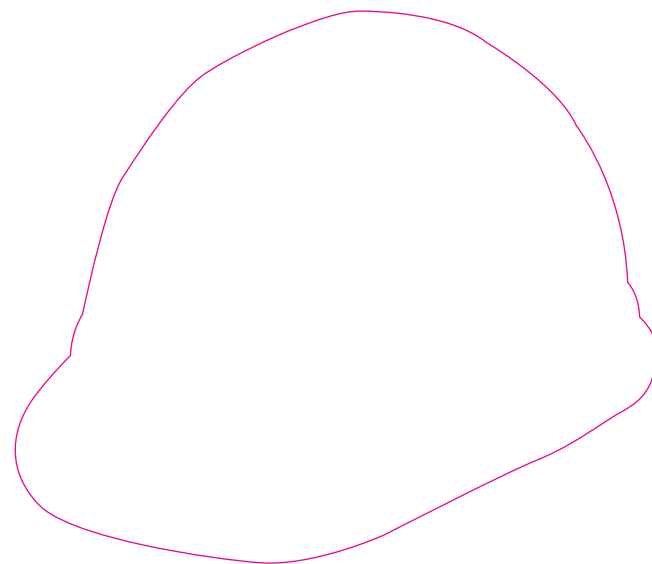
Adprint Pty Ltd  
order No: 7271  
97x67mm  
1x cold bent steel clicker die



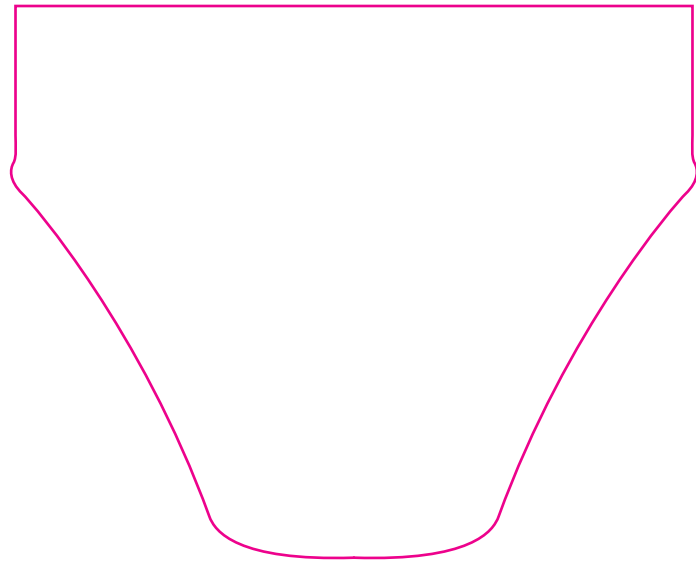
97mm



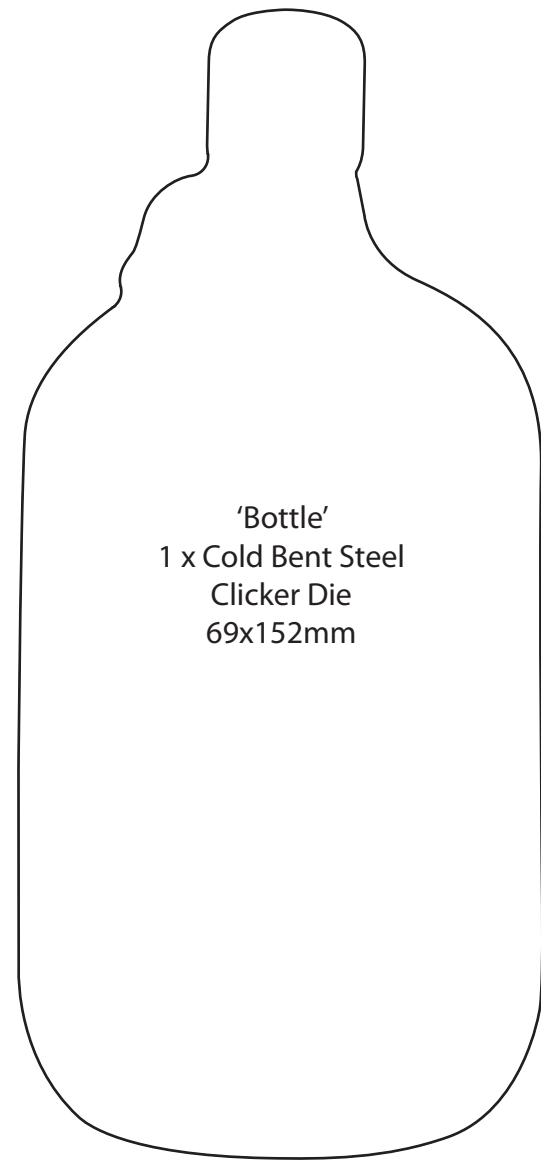
CANUSA  
90x57mm  
1 x Cold Bent Steel  
Clicker Die



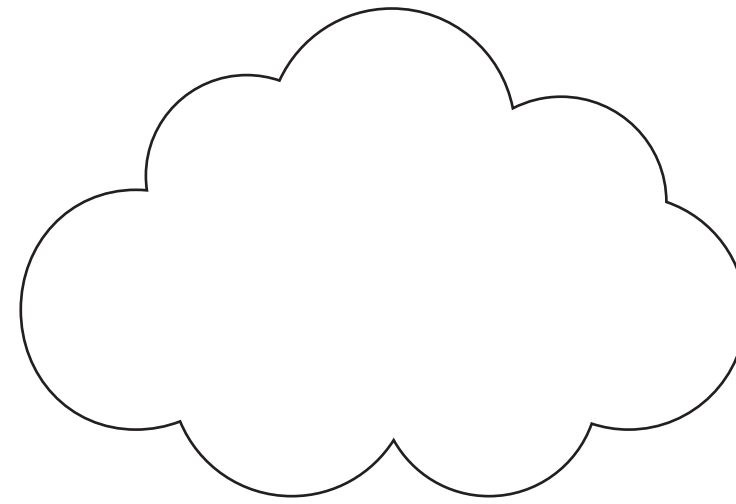
95.5mm



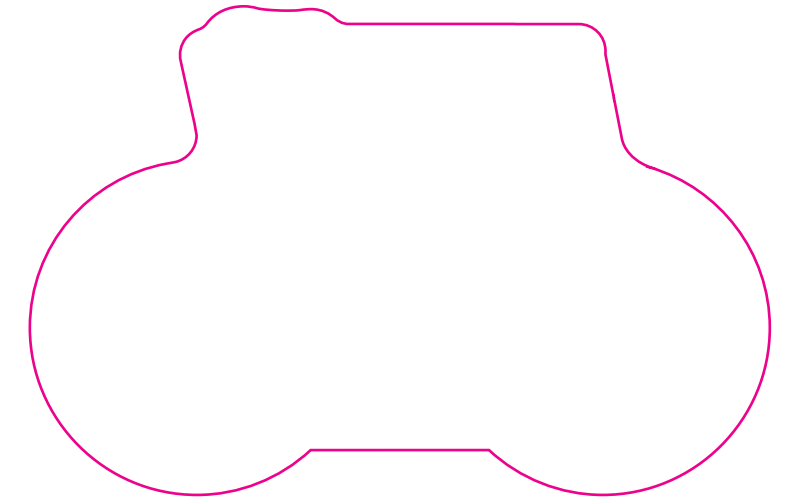
"Briefs"  
90x73mm  
1 x Cold Bent Steel Clicker Die



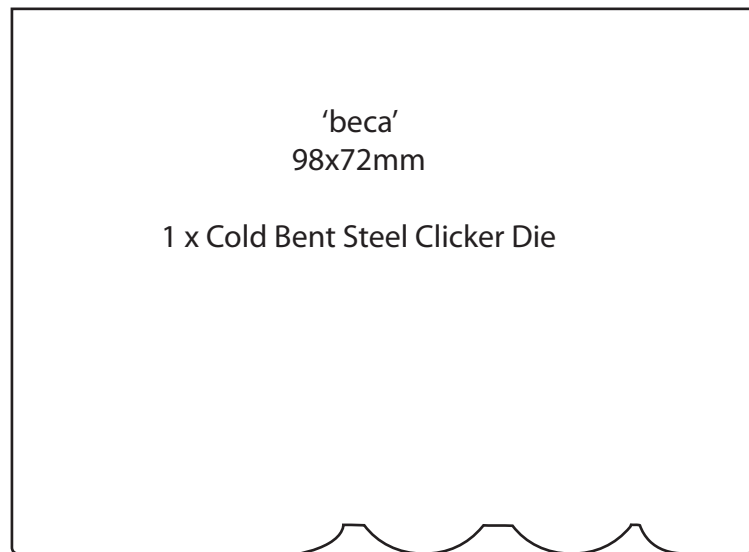
'Bottle'  
1 x Cold Bent Steel  
Clicker Die  
69x152mm



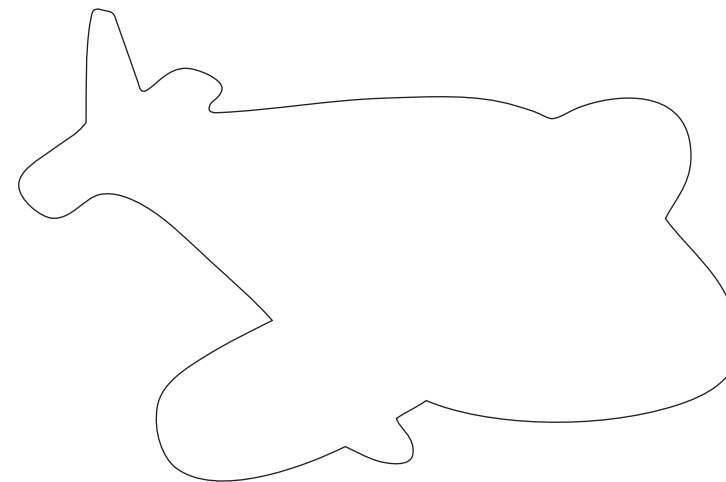
**CLOUD SHAPE**  
**96 X 65MM APPROX.**  
COLD BENT STEEL  
CLICKER PRESS DIE



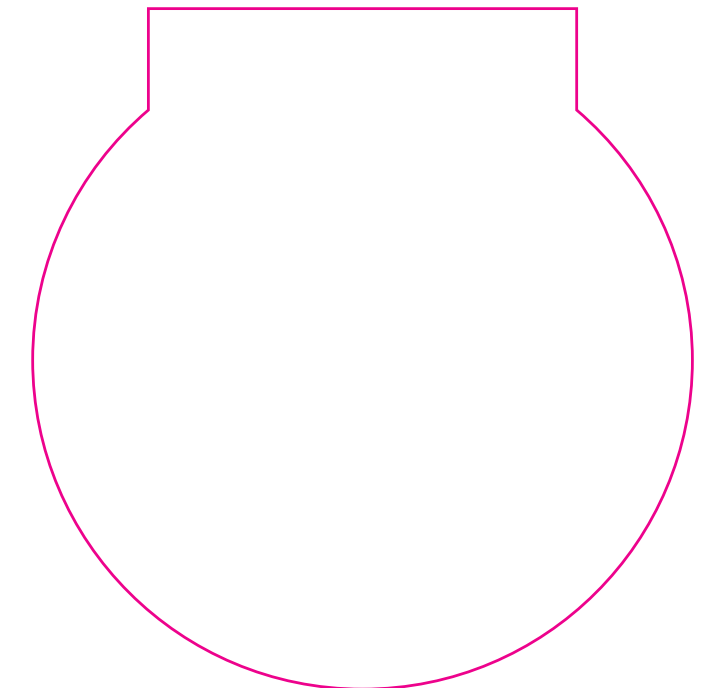
**BICYCLE DIE**  
**98 x 66MM APPROX**  
COLD BENT STEEL  
CUTTING FORME



'beca'  
98x72mm  
1 x Cold Bent Steel Clicker Die

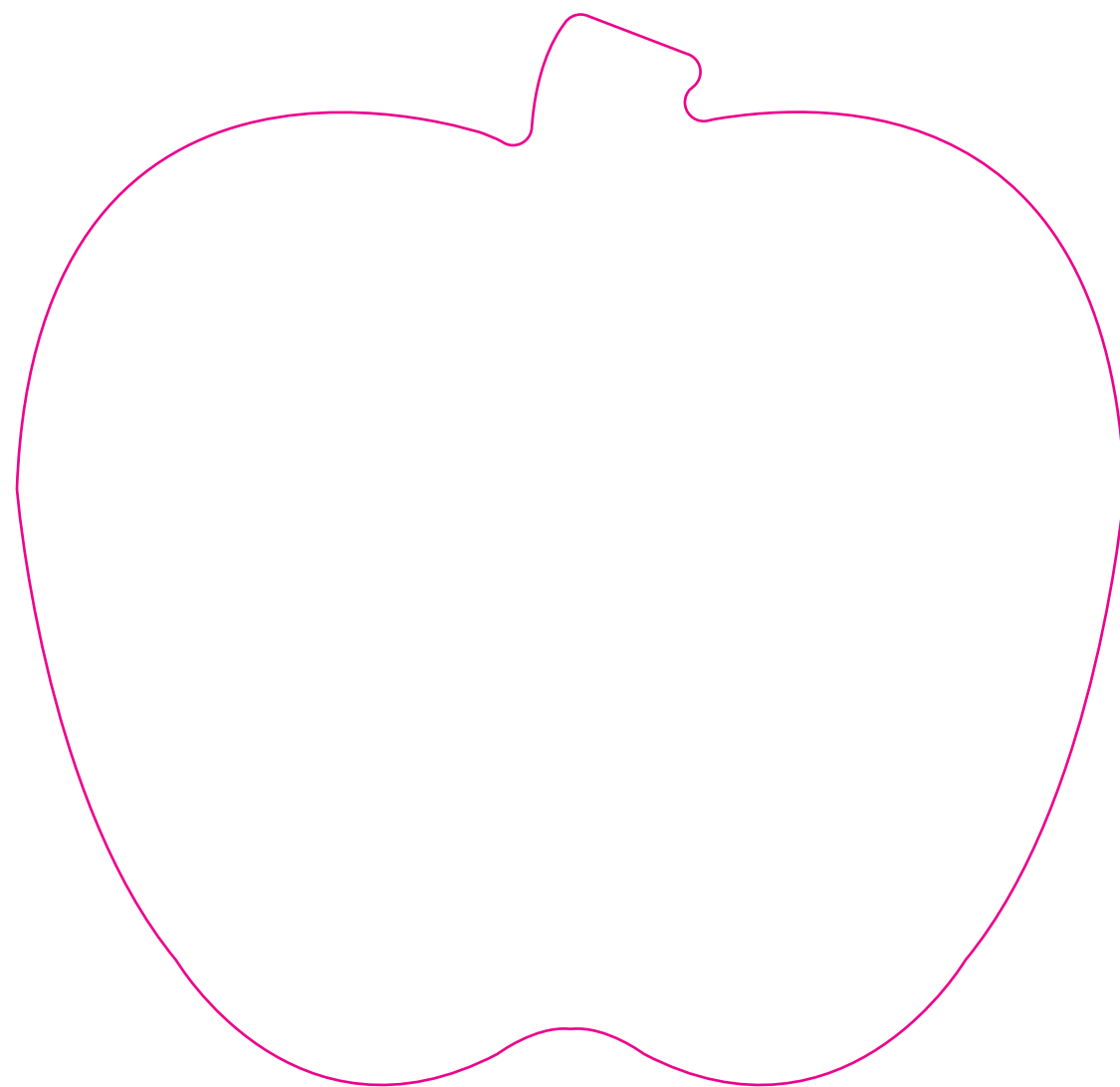


95x63mm Approx.

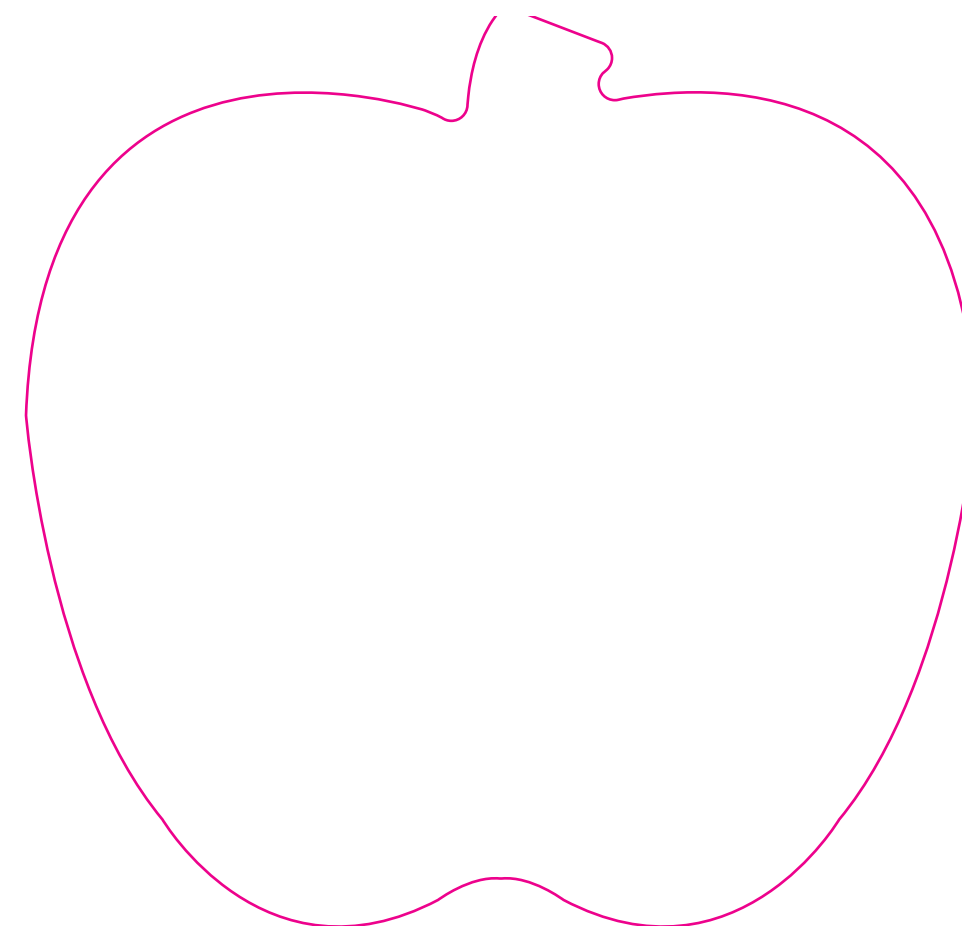




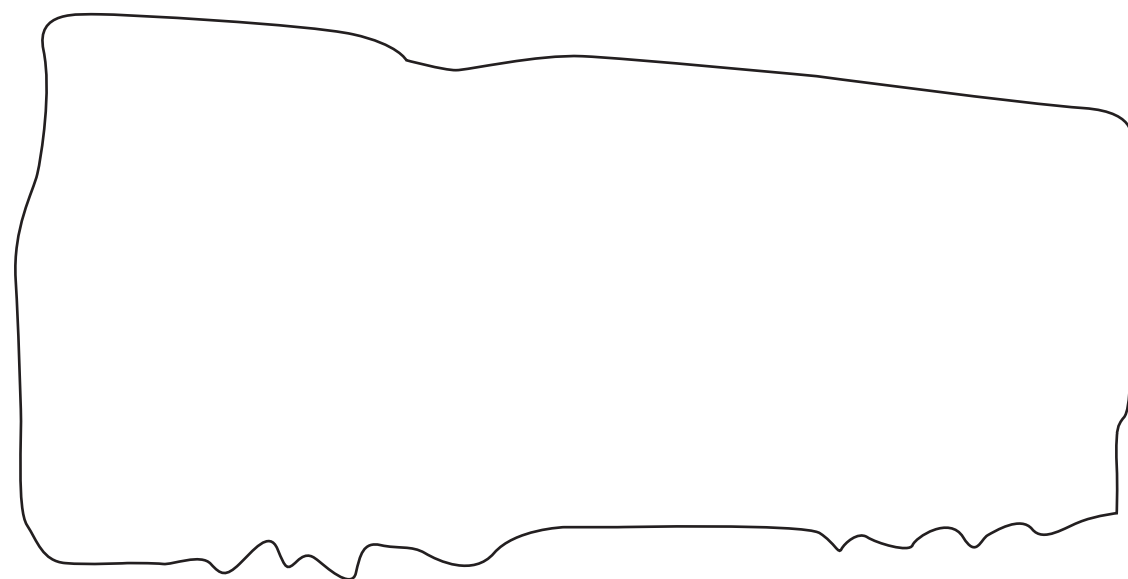
"Raindrop"  
1 x Cold Bent Steel  
Clicker Die  
71x120mm



LARGE APPLE  
147 x 142mm Approx.

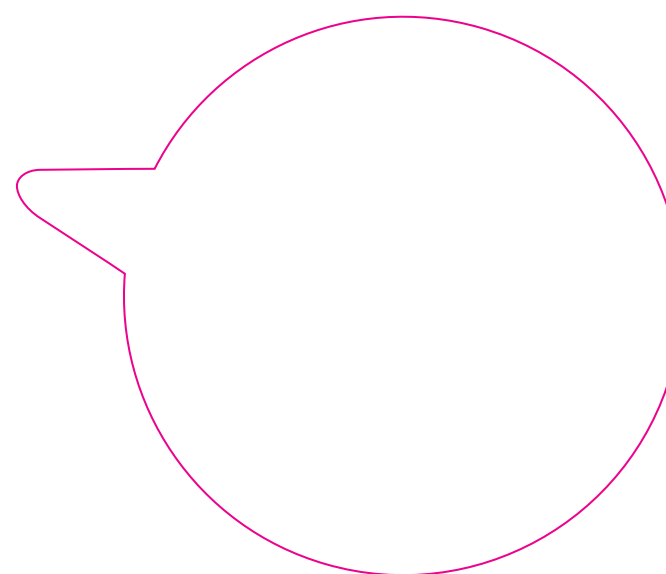


SMALL APPLE  
125 x 121mm Approx.



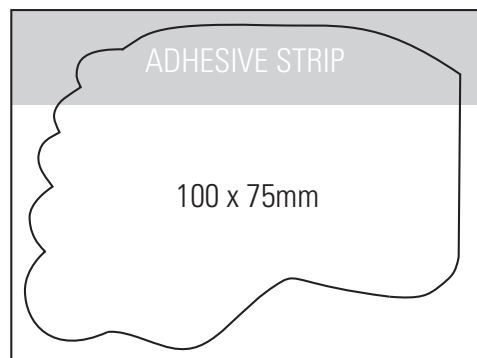
The file is at 100% final size is 148x75mm (approx)

SPEECH BUBBLE  
88 X 74MM APPROX  
COLD BENT STEELE  
DO NOT PAINT

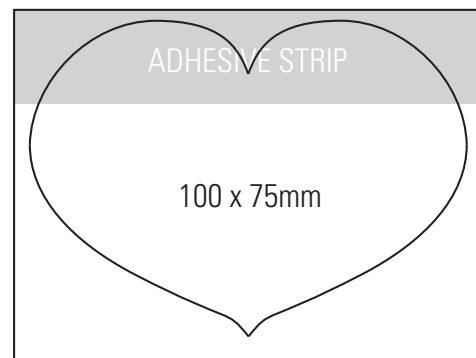


Speech Bubble  
1x Cold Bent Steel Clicker Die 98x80mm

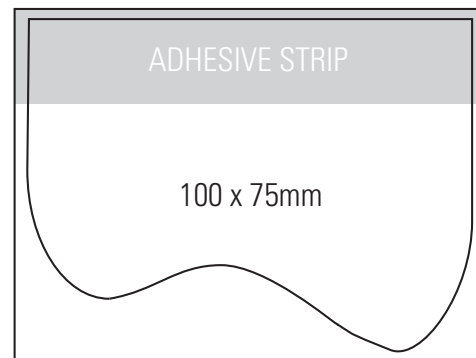
StukNotesDie Foot - SDC1100A



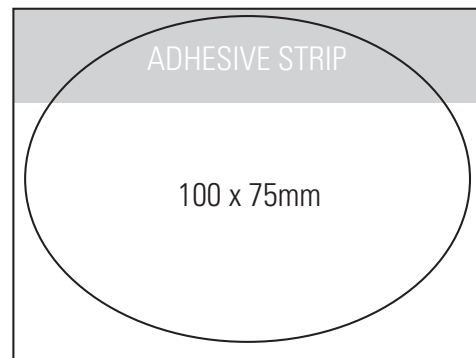
StukNotesDie Heart A - SDC2100A



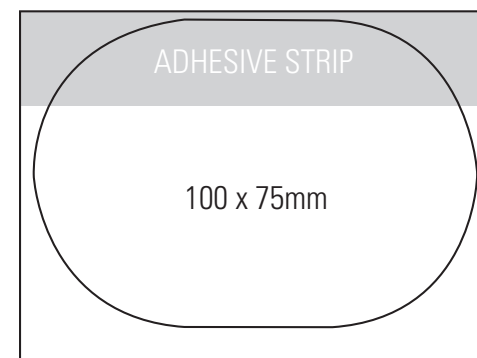
StukNotesDie Australia - SDC4100A



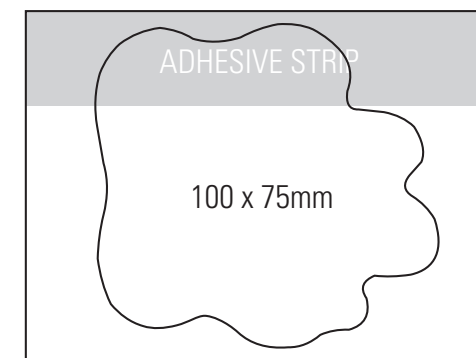
StukNotesDie Oval A - SDC5100A



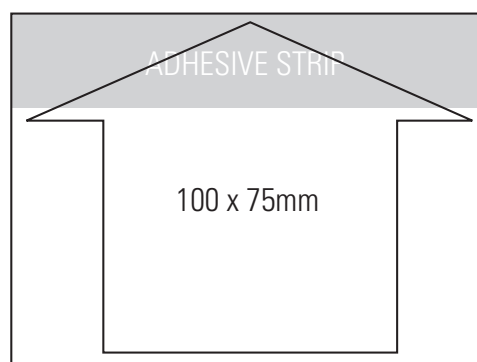
StukNotesDie Oval B - SDC6100A



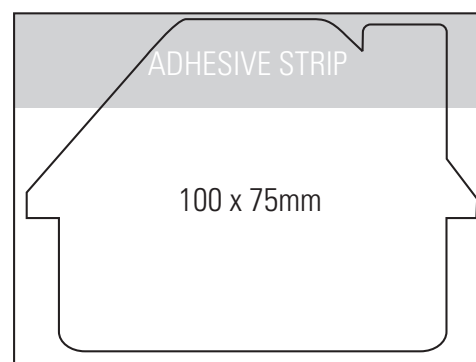
StukNotesDie Dog Paw - SDC8100A



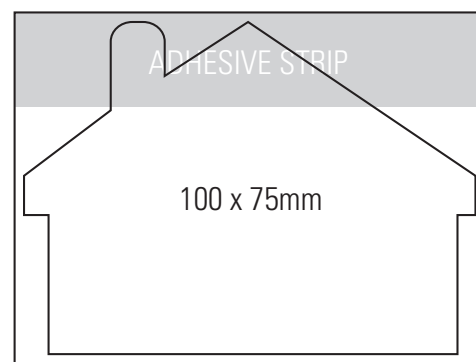
StukNotesDie Arrow - SDC9100A



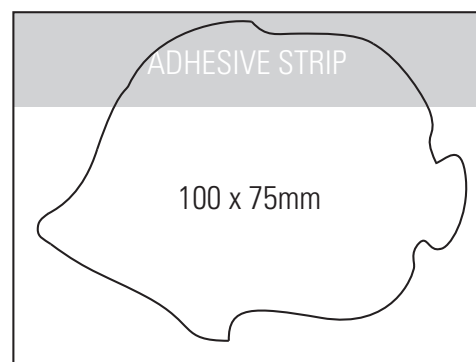
StukNotesDie House A - SDC10100A



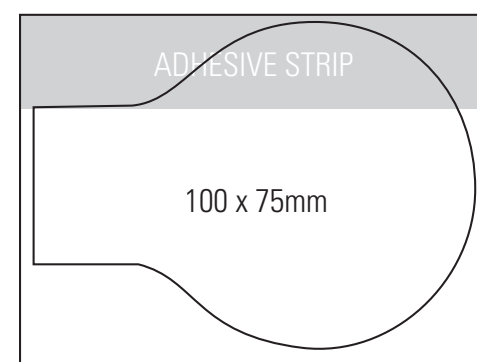
StukNotesDie House B - SDC11100A



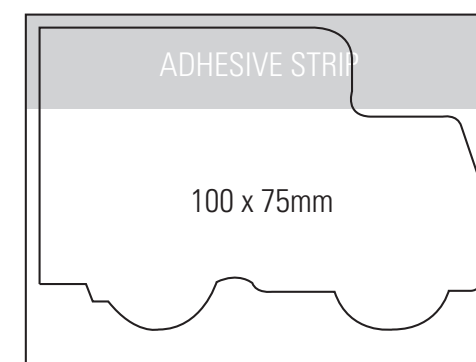
StukNotesDie Goldfish - SDC12100A



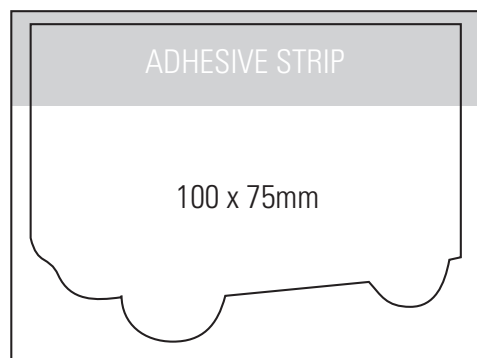
StukNotesDie Lightbulb - SDC13100A



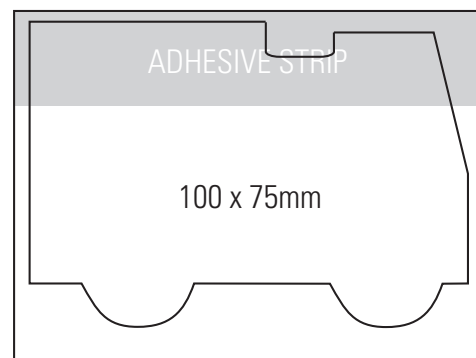
StukNotesDie Truck A - SDC14100A



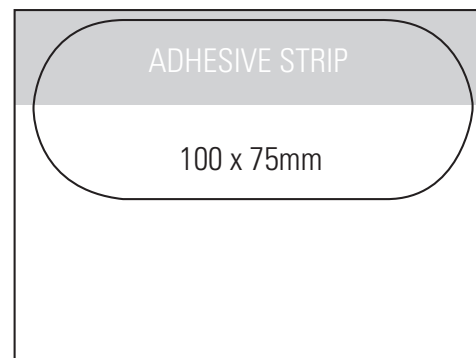
StukNotesDie Truck B - SDC15100A



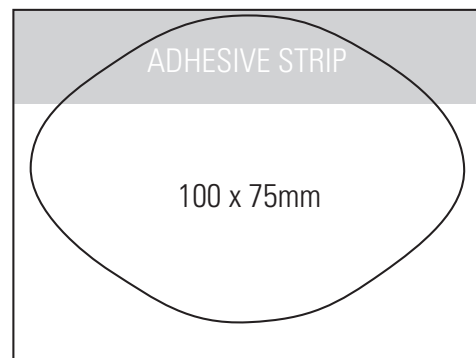
StukNotesDie Truck C - SDC16100A



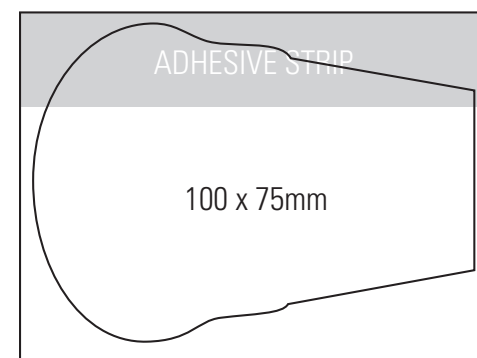
StukNotesDie Pill A - SDC17100A



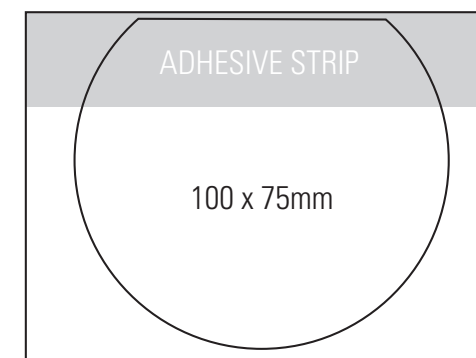
StukNotesDie Pill B - SDC18100A



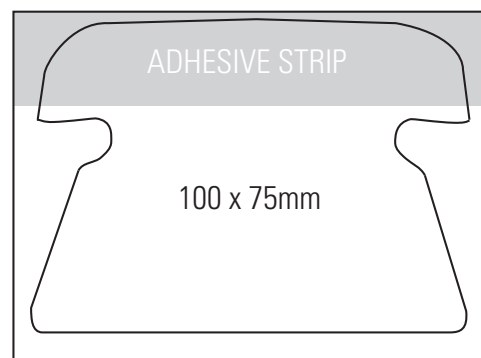
StukNotesDie Icecream - SDC20100A



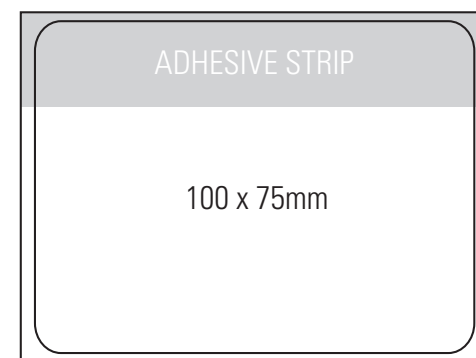
StukNotesDie Semi Circle A - SDC21100A



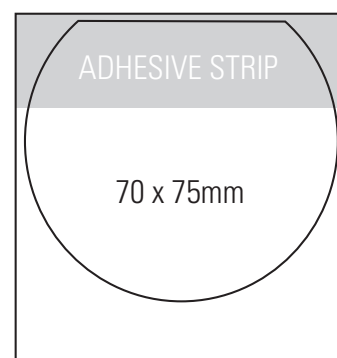
StukNotesDie Telephone A - SDC23100A



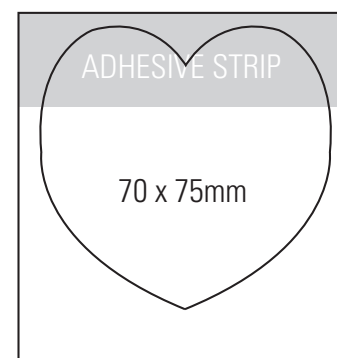
StukNotesDie Oblong - SDC25100A



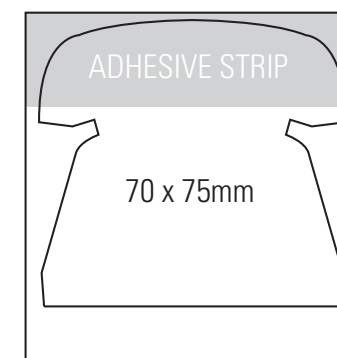
StukNotesDie Semi Circle B - SDC2270A



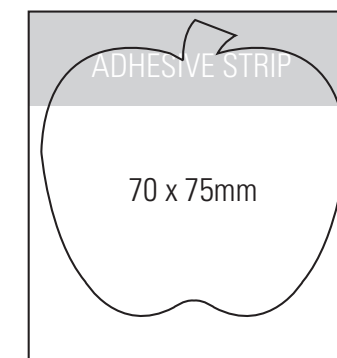
StukNotesDie Heart B - SDC370A



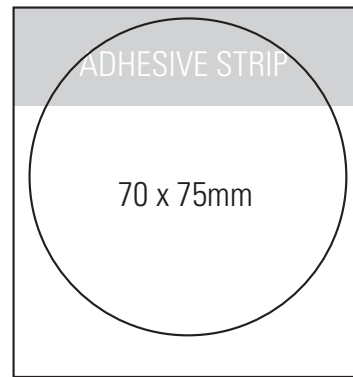
StukNotesDie Telephone B - SDC2470A



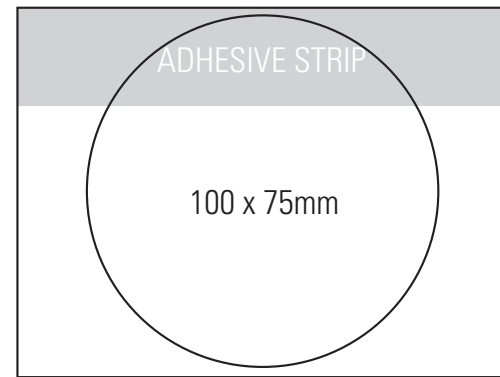
StukNotesDie Apple - SDC2670A



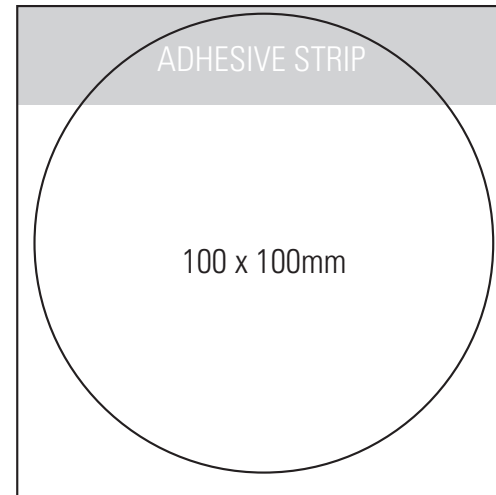
StukNotesDie Circle A - SDC2770A



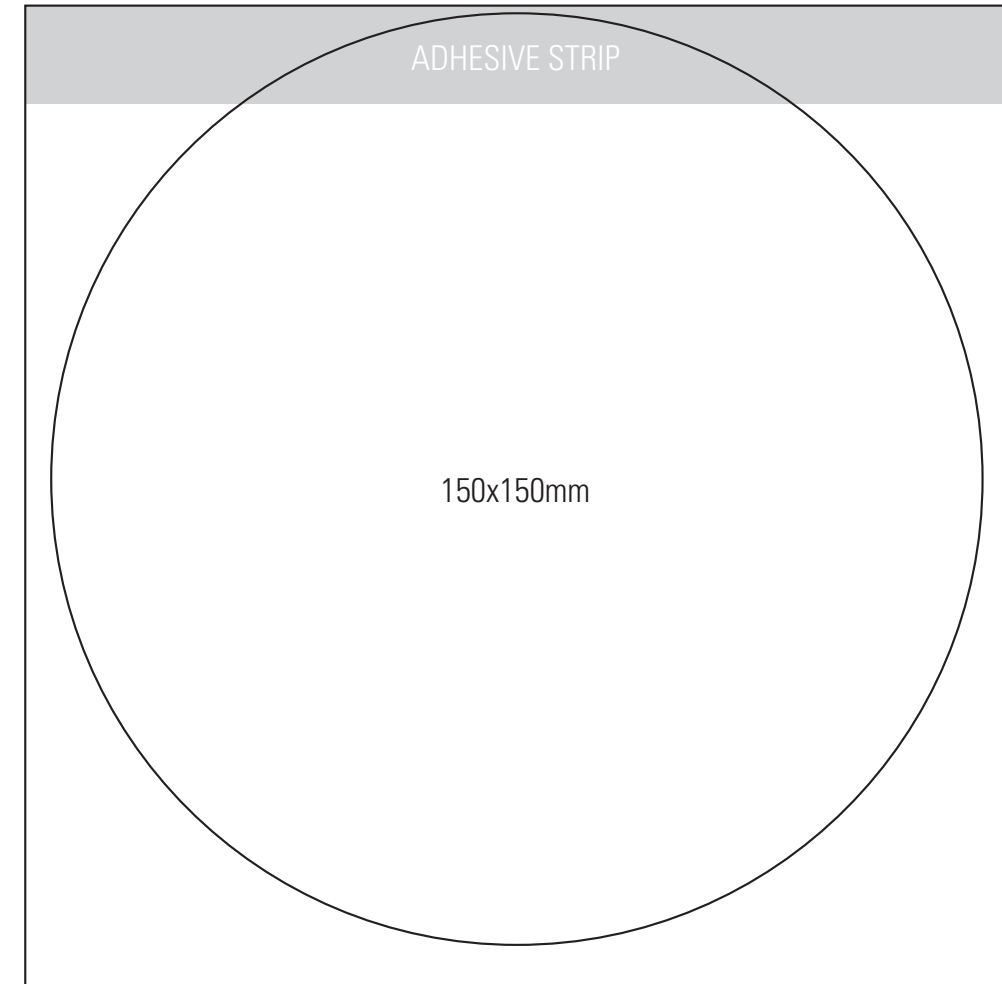
StukNotesDie Circle B - SDC2875A



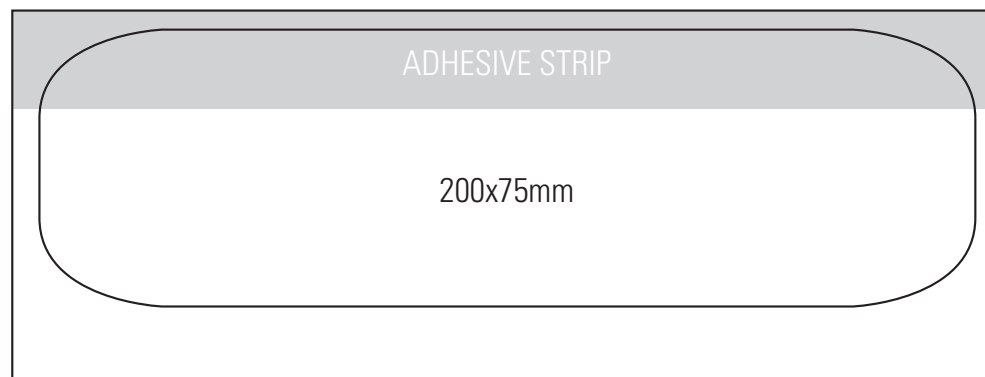
StukNotesDie Circle C - SDC29100B



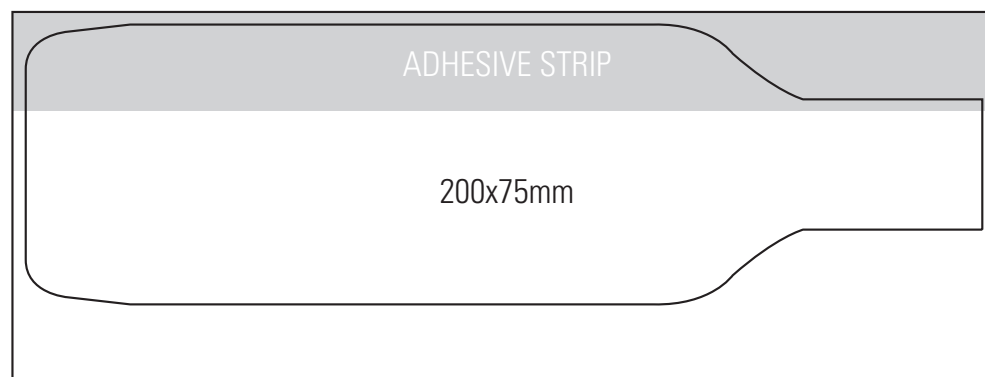
StukNotesDie Circle D - SDC30150C



StukNotesDie Pill C - SDC19100A



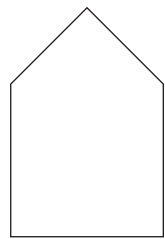
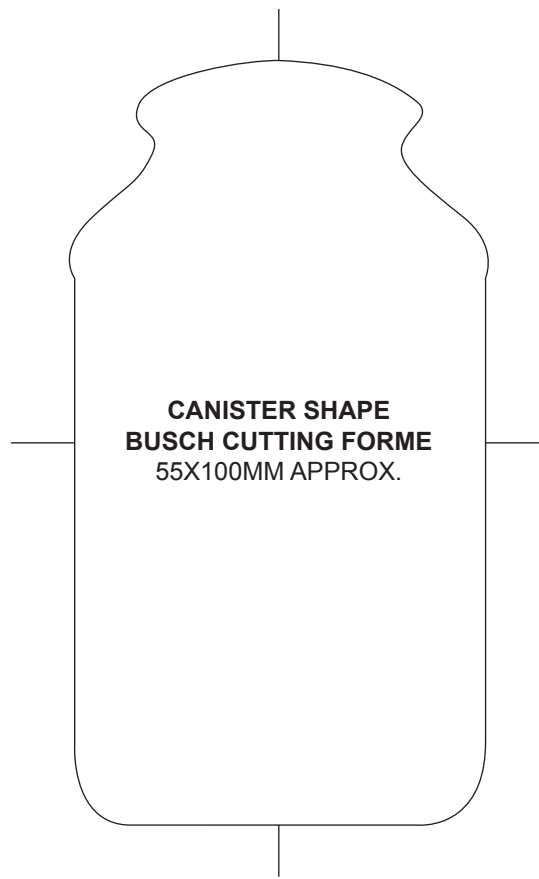
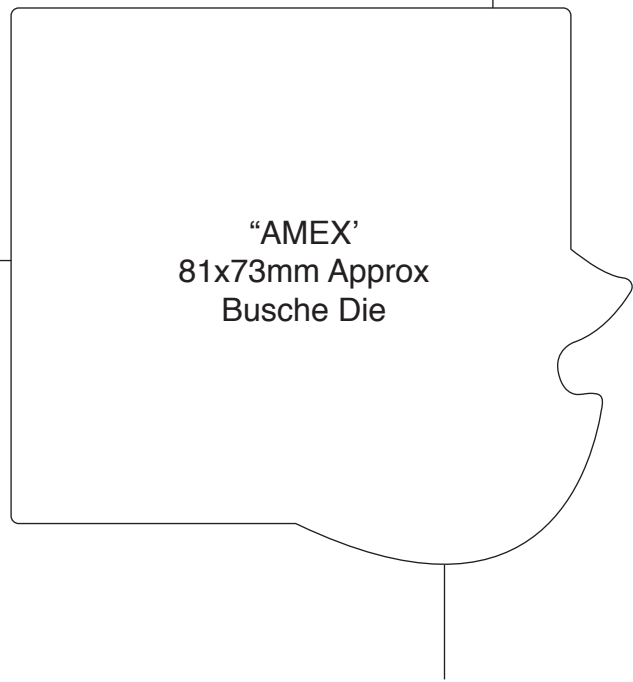
StukNotesDie Bottle - SDC31200A



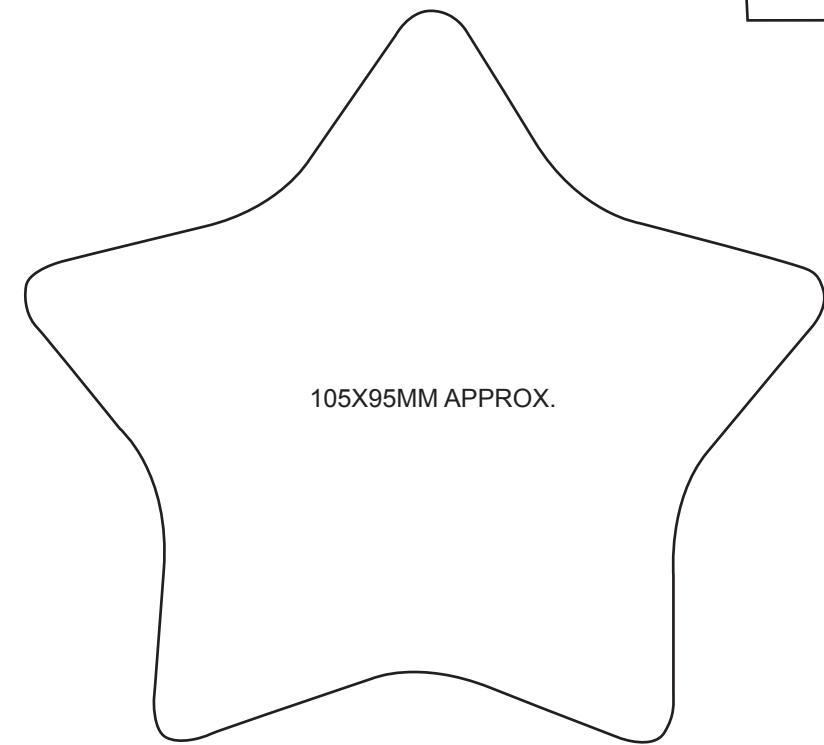
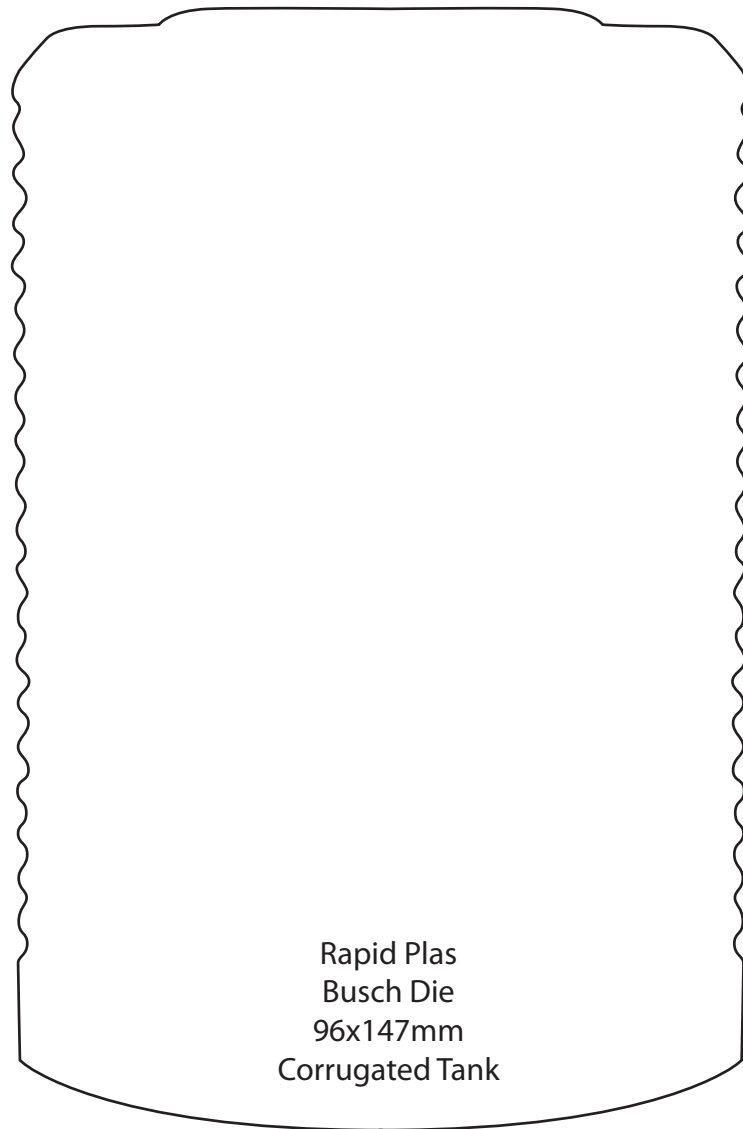
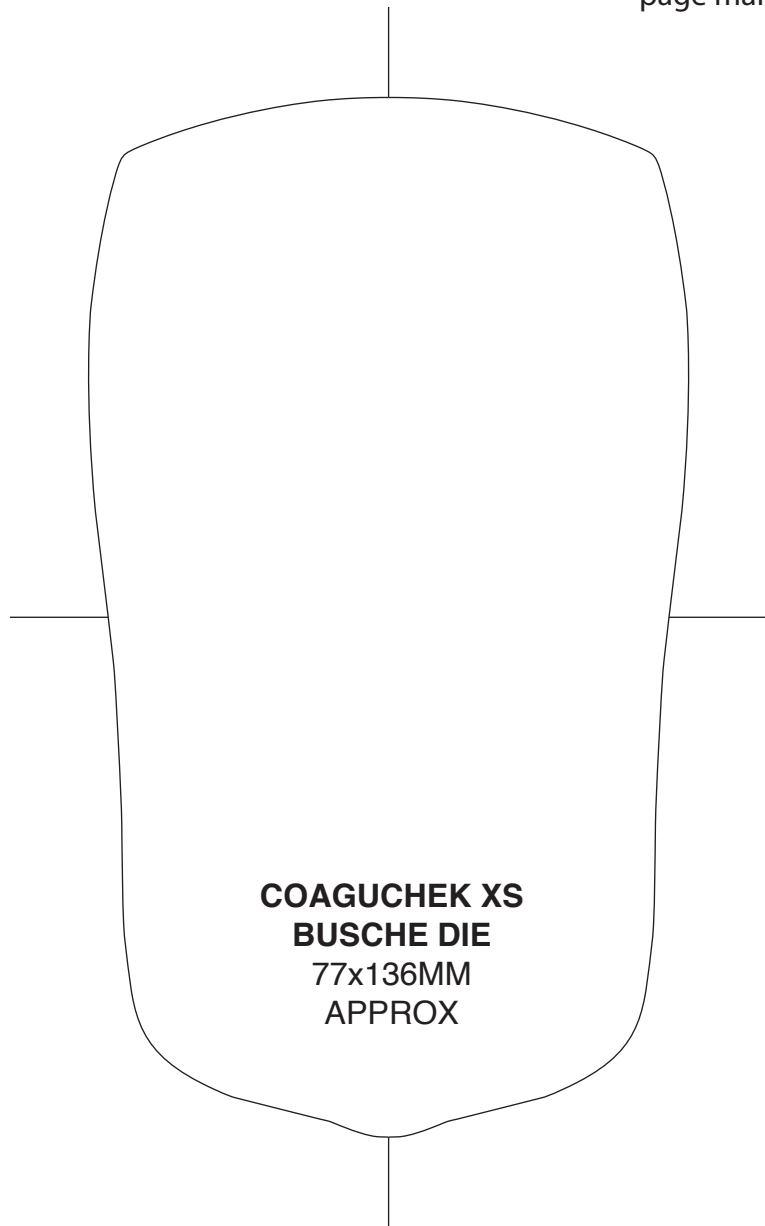
StukNotesDie Oval C - SDC7200C



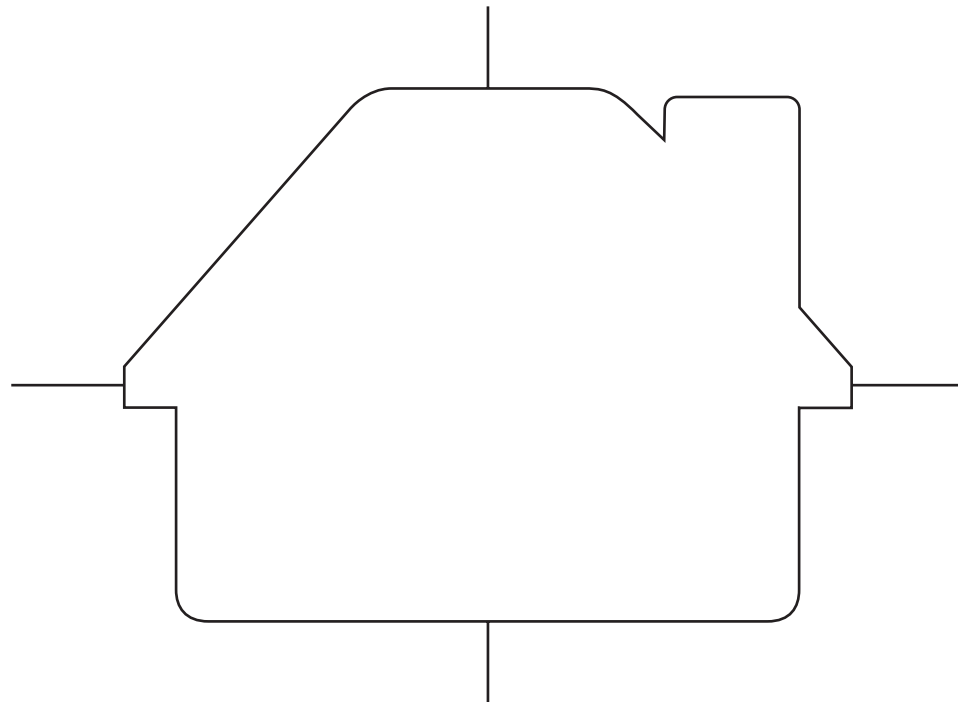




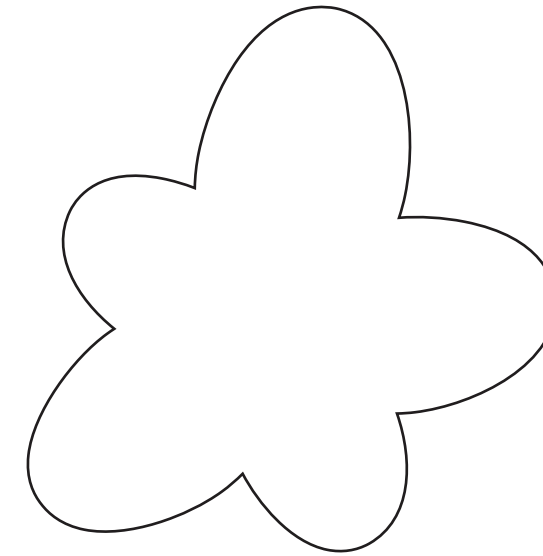
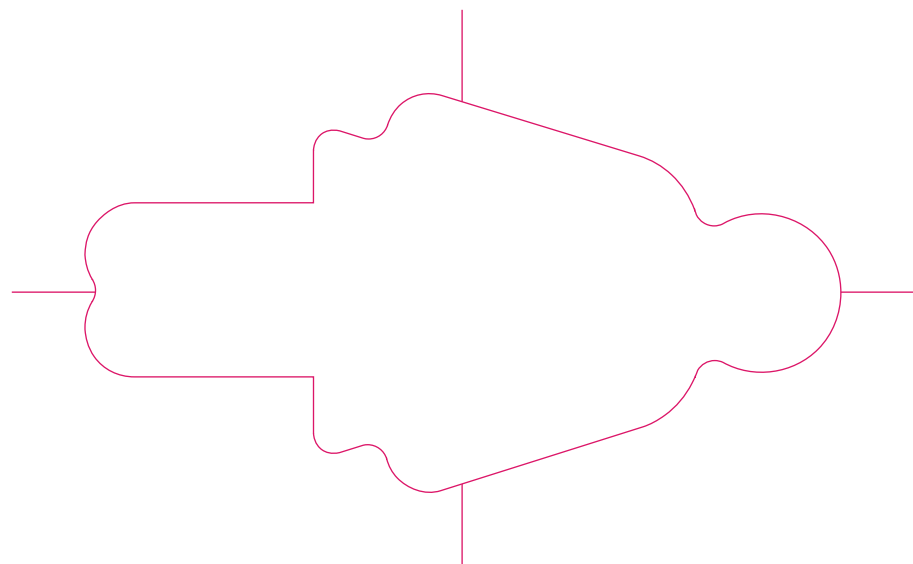
1 x busch die  
page marker 20x30mm



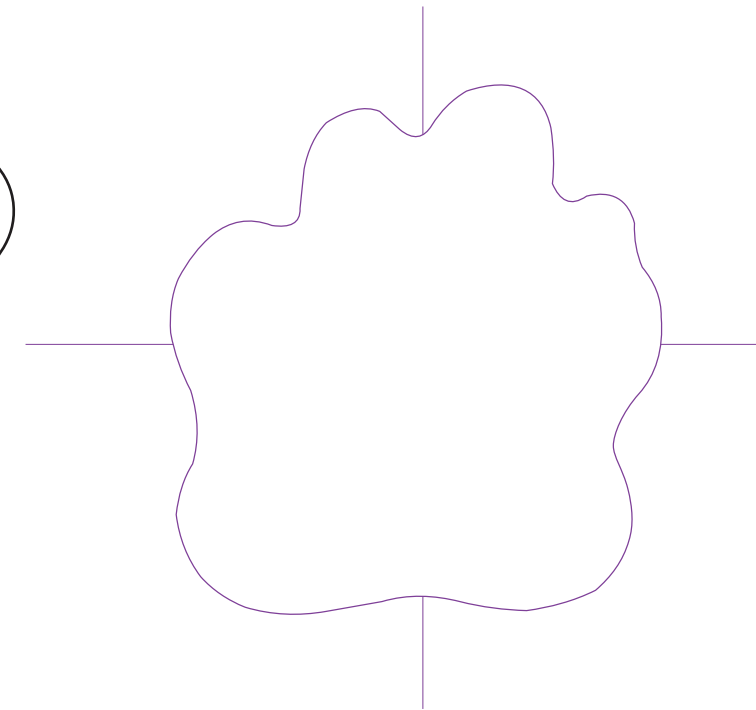
96X70MM APPROX STUKNOTE  
BUSCH DIE  
HOUSE SHAPE



100x52mm Approx Stuk Note  
50mm High Busch Die  
Person Shape

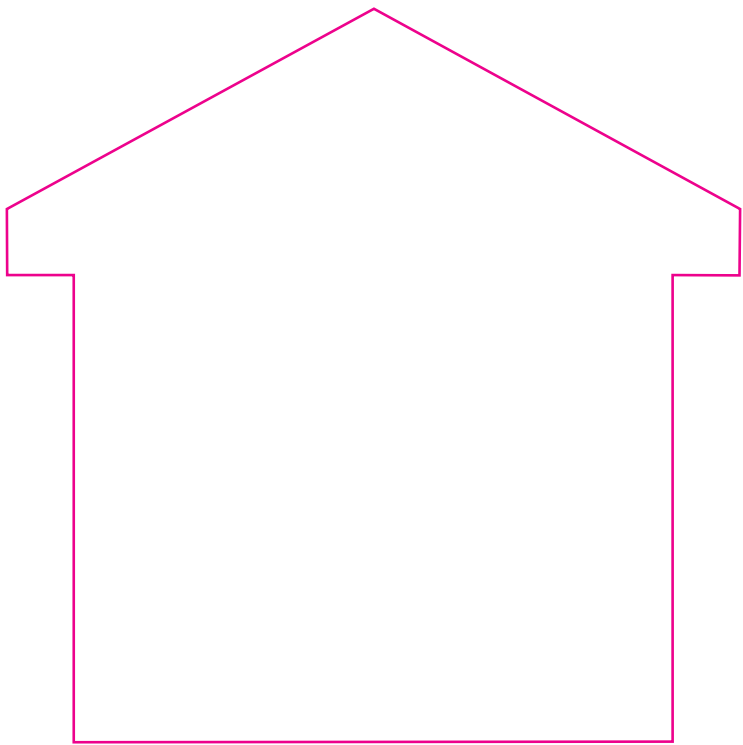


**"Flower" StukNotes**  
70 x 72mm Approx. Die Shape  
**\*\*REQUIRES SLITTERS\*\***



50mm high busch die  
Paw Shape

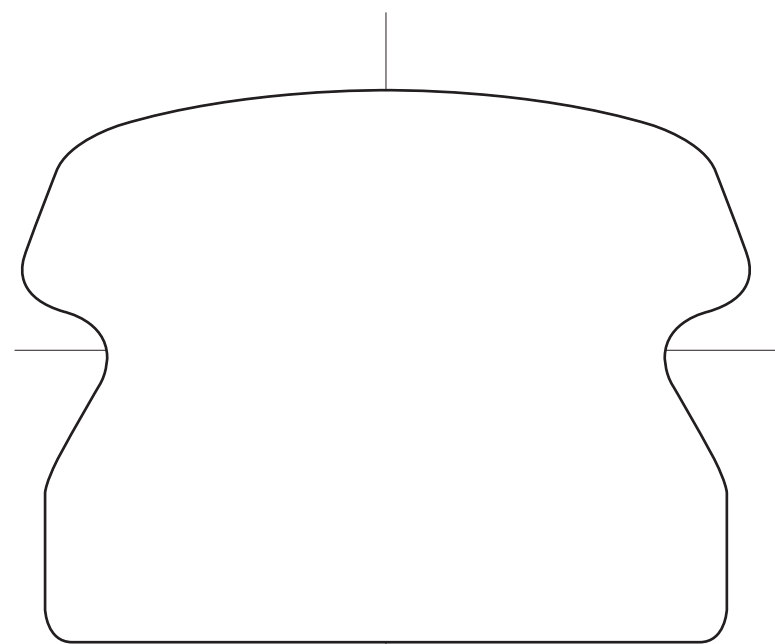
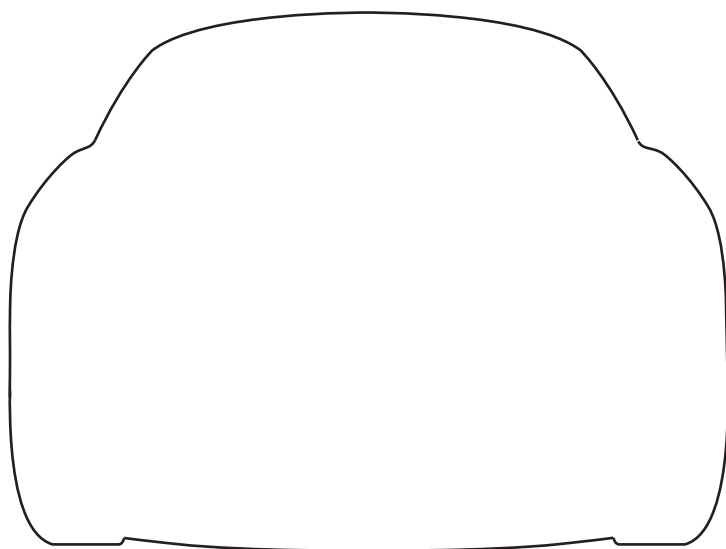
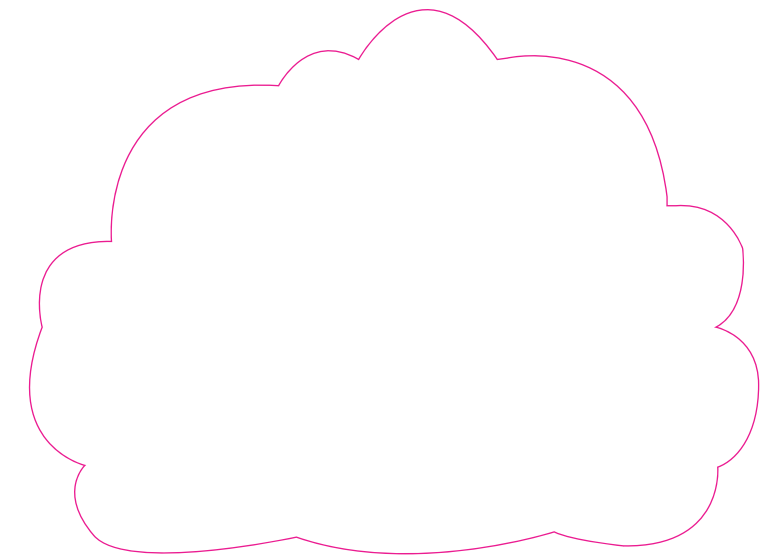
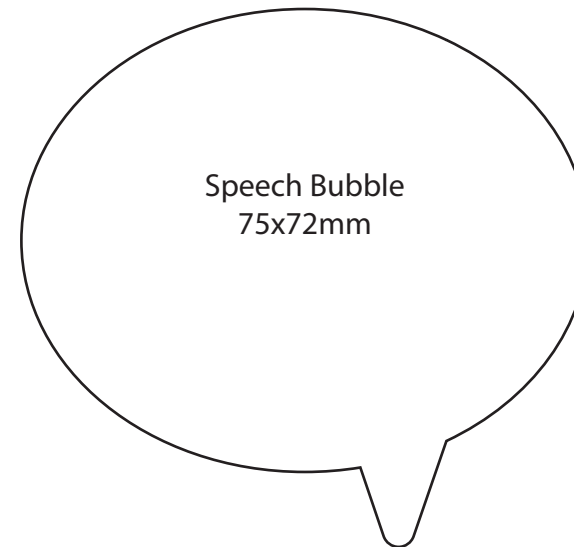
97 X 97mm STUKNOTE  
BUSCH DIE  
HOUSE SHAPE

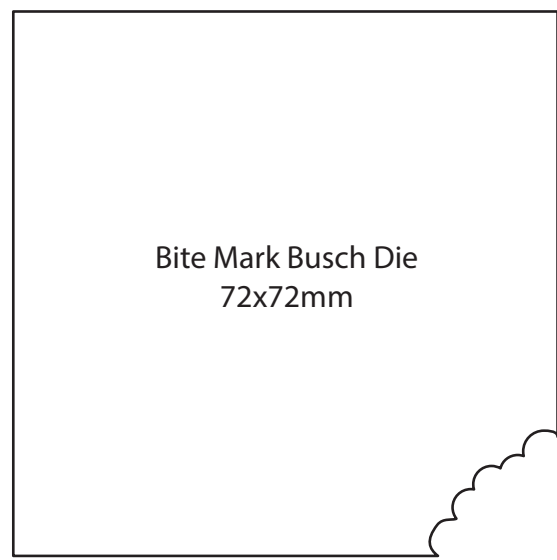


**CANISTER SHAPE**  
**BUSCH CUTTING FORME**  
55X100MM APPROX.

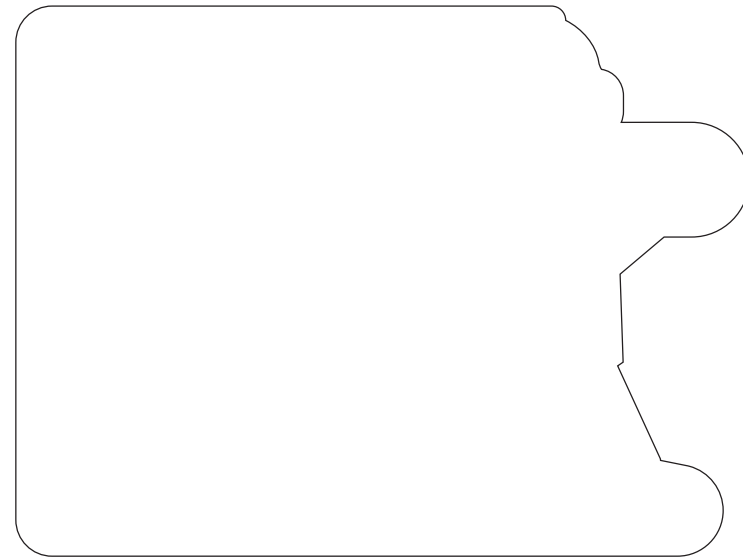


Speech Bubble  
75x72mm

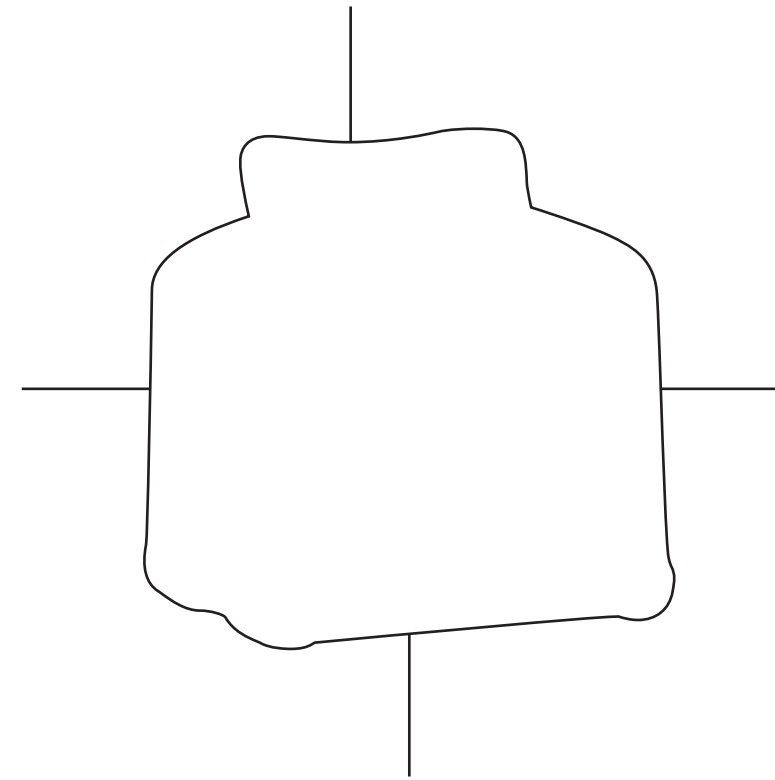




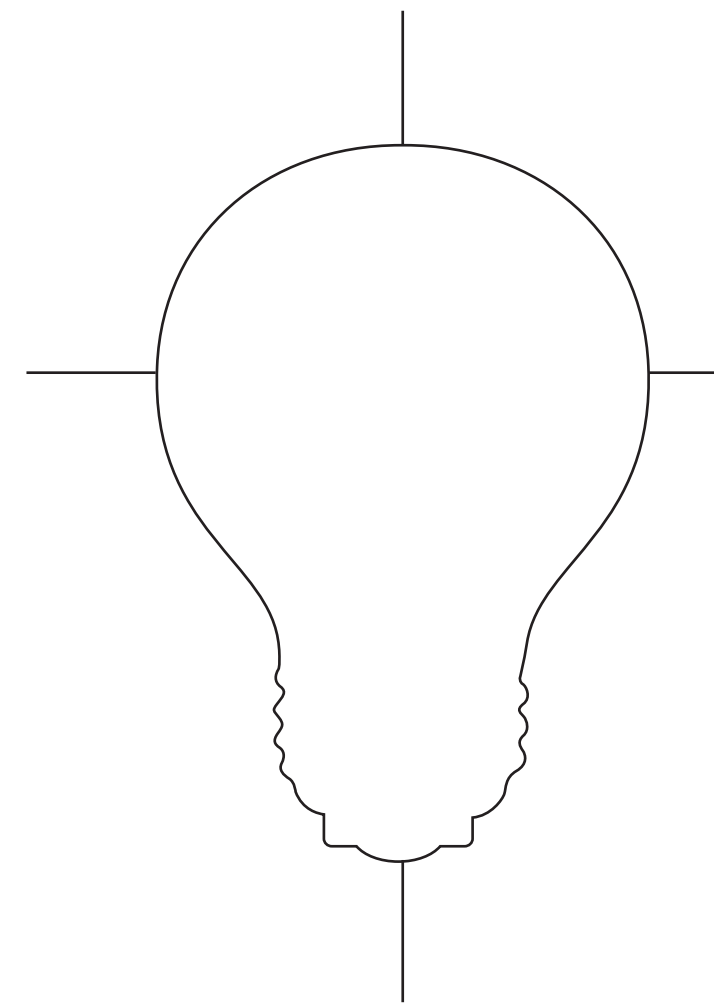
Bite Mark Busch Die  
72x72mm



97 X 72.5mm STUKNOTE  
( 50 )MM HIGH BUSCH DIE

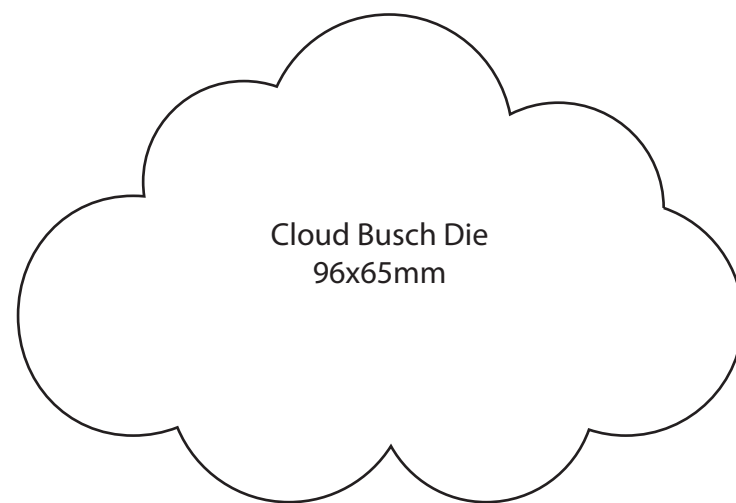
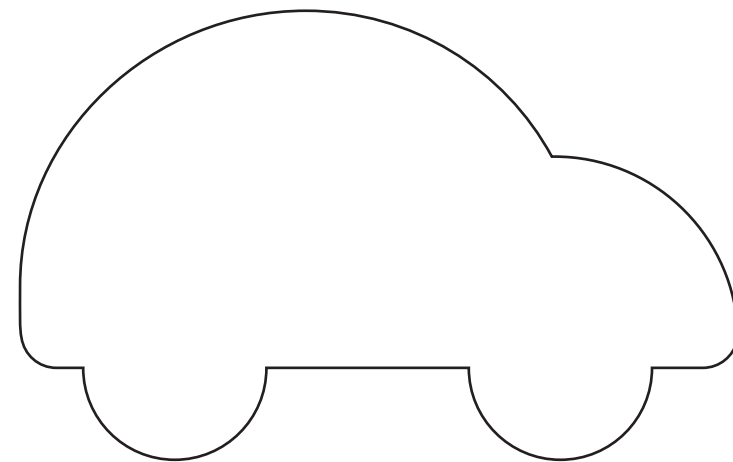
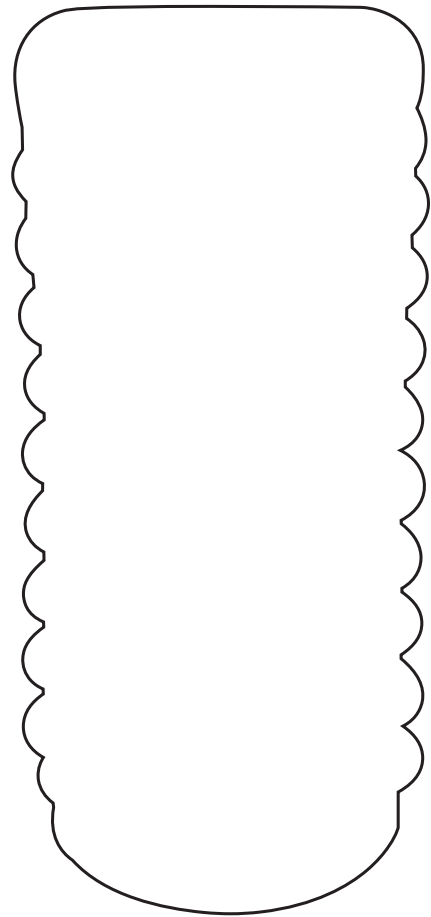


'TORK' STUKNOTES  
70X69MM APPROX  
BUSCH DIE

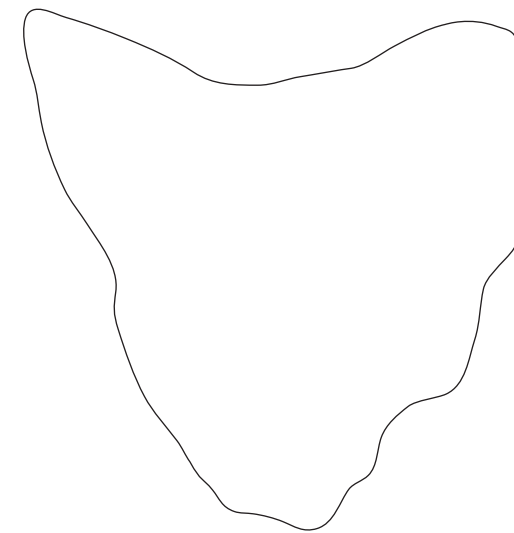


'LIGHT BULB' STUKNOTES  
65X95MM APPROX  
BUSCH DIE

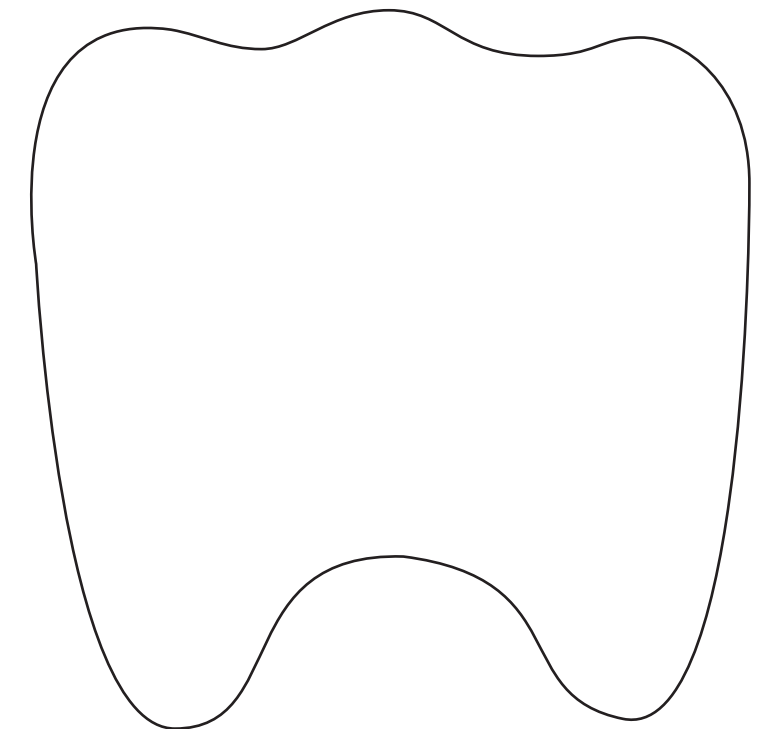
Strauman  
Busch Die  
55x120mm  
Corrugated Drill Bit



Cloud Busch Die  
96x65mm



'TASMANIA'  
67X69MM APPROX. CUTTING FORME  
FOR BUSCH DIE CUTTER



95 X 95mm STUKNOTE